

HSP 4

High-quality condenser headmic

FEATURES

- Modular overall system, i.e. all system components are easily interchangeable and combinable
- Excellent feedback rejection
- Microphone includes a detachable cap as integral wind/popshield
- Individually adjustable to all head sizes
- Twist-proof microphone boom (Ø 2.0 mm), can be attached to the left or right side (removable attachment clip)
- Flexible gooseneck section
- Connection cable can easily be interchanged
- Attachment clip for microphone boom can be interchanged
- All metal parts coated in a physical vapour deposition process

High-quality permanently polarized condenser headmic with cardioid pick-up pattern, designed for professional "hands-free" applications. The adjustable neckband is visually unobtrusive and very comfortable to wear. The twelve available HSP 4 variants differ in color, size and connector. For wireless applications, the headmic can be used with different Sennheiser bodypack transmitters, depending on the connection cable (see "Variants"). For wired applications, the headmic can be used with the MZA 900 P / MZA 900 P-4 phantom power adapter.

New: The HSP 4 is now available in a revised version with a new attachment clip for the microphone boom. The new clip has a very rugged, closable design, providing an extremely secure fit of the microphone boom. HSP neckbands equipped with the previous attachment clips can be retrofitted with the new ones which are available as spare parts.



ARCHITECT'S SPECIFICATIONS

The headmic shall be a cardioid pre-polarized condenser designed for professional „hands free“ applications. It shall have an adjustable, visually unobtrusive neckband and a twist-proof microphone boom with a flexible gooseneck section. The headmic's connection cable and all other system components shall be easily interchangeable. The headmic shall be available in black or beige (-3 variant) and in two sizes: standard and small (-M variant, with a smaller neckband and a shorter microphone boom). It shall also be available with two different connectors [3-pin lockable special connector or 3.5 mm mini-jack (-ew variant)] or without connector (-5 variant, with open-ended steel wire cable). The frequency response shall be 40 Hz-20,000 Hz and the sensitivity (free field, no load) shall be 4 mV/Pa at 1 kHz. Nominal impedance shall be 1 kΩ, with a min. terminating impedance of 4.7 kΩ. Maximum SPL shall be 150 dB, equivalent noise level shall be 37 dB(A).

Continued on page 2

TECHNICAL DATA

Transducer principle (Microphone)	pre-polarized condenser microphone
Pick-up pattern.....	cardioid
Frequency response	40...20,000 Hz
Sensitivity (free field, no load at 1kHz)	4 mV/Pa
Nominal impedance.....	1000 Ω
Min. terminating impedance	4700 Ω
Maximum sound pressure level (passive)	150 dB
Equivalent noise level	37 dB(A)
Current consumption	approx. 250 µA
Operating voltage (stand alone).....	4.5–15 V
Cable length	1.6 m microphone
Diameter of microphone capsule.....	8.4 mm boomarm
Diameter of boom arm	2.0 mm (without cable)
Weight without cable.....	9.2 g (without cable)

Distinguishing features of HSP 4 and HSP 4-M ..	HSP 4 / HSP 4-M
Width of neckband	110 mm / 80 mm
Length of boom arm	183 mm / 153 mm
Radius of neckband	54 mm / 44 mm

Continued on page 2

HSP 4 High-quality condenser headmic

ARCHITECT'S SPECIFICATIONS

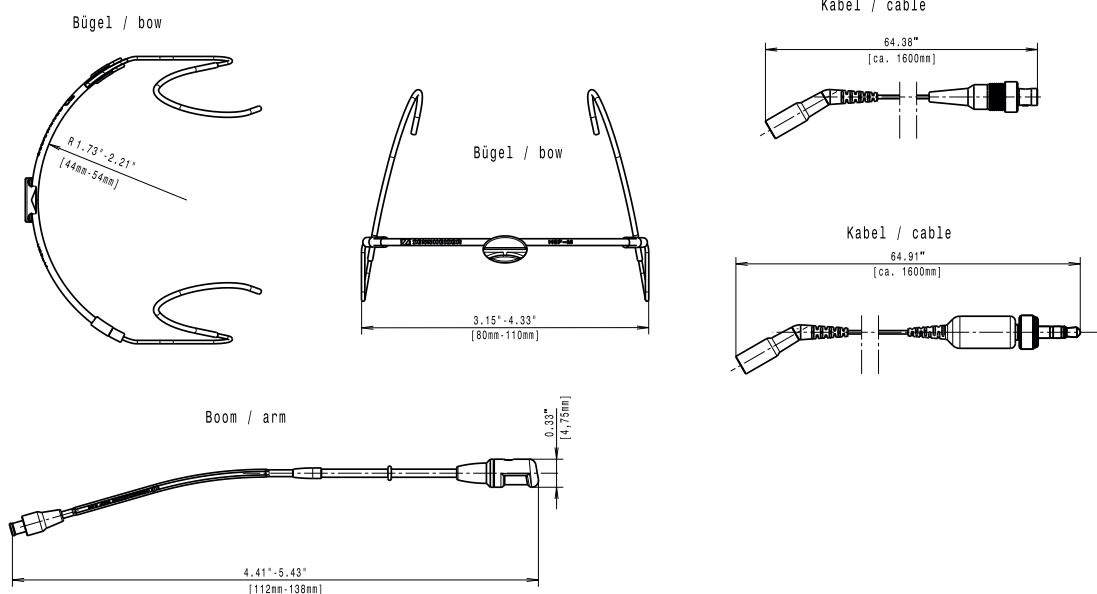
The current consumption shall be approximately 250 μ A. Operating voltage (stand alone) shall range from 4.5–15 V. The cable length shall be 1.6 m. Diameter of the microphone capsule shall be 8.4 mm (0.33"), diameter of the boom arm shall be 2.0 mm (0.08"). Weight without cable shall be 9.2 grams (0.32 oz). The headmic shall be the Sennheiser HSP 4.

TECHNICAL DATA

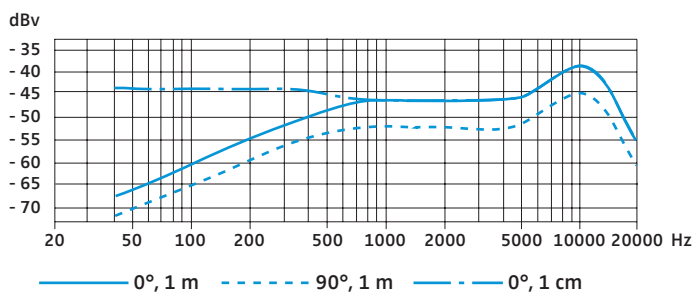
DELIVERY INCLUDES

- 1 HSP 4
- 1 neckband
- Instructions for use
- 5 Clips for attaching the microphone boom
- 1 Silicone tube
- 1 Connection cable
- 1 Foam windshield
- 1 Plastic transport case, foam-lined with cut-outs
- 1 Operating instructions

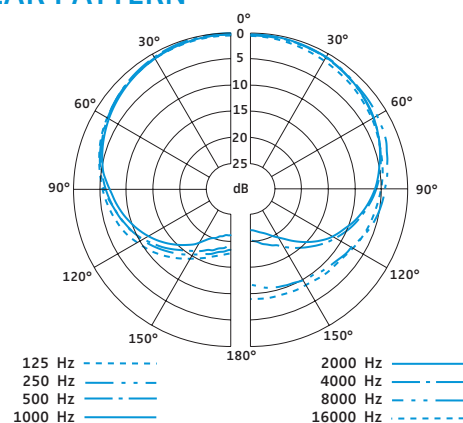
DIMENSIONS



FREQUENCY RESPONSE



POLAR PATTERN



HSP 4 High-quality condenser headmic

PRODUCT VARIANTS

HSP 4: Black, thin connection cable with 3-pin lockable special connector. Suitable for Sennheiser SK 50, SK 250, SK 5012, SK 5212 and SK 3063 bodypack transmitters. For wired applications, the headmic can be used with the intelligent MZA 900 P-4 phantom power adapter. Cat. No. 09864

HSP 4-M: As HSP 4, but with shorter microphone boom and smaller neckband. Cat. No. 500700

HSP 4-3: Beige, thin connection cable with 3-pin lockable special connector. Suitable for Sennheiser SK 50, SK 250, SK 5012, SK 5212 and SK 3063 bodypack transmitters. For wired applications, the headmic can be used with the intelligent MZA 900 P-4 phantom power adapter. Cat. No. 09865

HSP 4-3-M: As HSP 4-3, but with shorter microphone boom and smaller neckband. Cat. No. 500696

HSP 4-5: Black, steel wire cable with open ends. Cat. No. 09870

HSP 4-5-M: As HSP 4-5, but with shorter microphone boom and smaller neckband. Cat. No. 500697

HSP 4-3-5: Beige, steel wire cable with open ends. Cat. No. 09871

HSP 4-3-5-M: As HSP 4-3-5, but with shorter microphone boom and smaller neckband. Cat. No. 500695

HSP 4-ew: Black, steel wire cable with 3.5 mm mini-jack. Suitable for Sennheiser SK 100, SK 300 and SK 500 evolution wireless series bodypack transmitters. For wired applications, the headmic can be used with the intelligent MZA 900 P phantom power adapter. Cat. No. 09867

HSP 4-ew-M: As HSP 4-ew, but with shorter microphone boom and smaller neckband. Cat. No. 500699

HSP 4-ew-3: Beige, steel wire cable with 3.5 mm mini-jack. Suitable for Sennheiser SK 100, SK 300 and SK 500 evolution wireless series bodypack transmitters. For wired applications, the headmic can be used with the intelligent MZA 900 P phantom power adapter. Cat. No. 09873

HSP 4-ew-3-M: As HSP 4-ew-3, but with shorter microphone boom and smaller neckband. Cat. No. 500698

RECOMMENDED ACCESSORIES

Neckband, black Cat. No. 511709

Neckband, HSP-M black Cat. No. 515278

Neckband, beige Cat. No. 511710

Neckband HSP 2-M, beige Cat. No. 515279

Boom microphone, HSP 4, black Cat. No. 511714

Boom microphone HSP 4-M, black Cat. No. 515282

Boom microphone HSP 4, beige Cat. No. 511713

HSP 4-3-M – Boom microphone, beige Cat. No. 515283

OFC copper/Kevlar cable with 3-pin lockable Lemo connector, black Cat. No. 511717

OFC copper/Kevlar cable with 3-pin lockable Lemo connector, beige Cat. No. 511718

Steel wire cable with 3.5 mm lockable mini-jack, black Cat. No. 511719

Steel wire cable with 3.5 mm lockable mini-jack, beige Cat. No. 511720

Steel wire cable with open ends, black Cat. No. 511721

Steel wire cable with open ends, beige Cat. No. 511722

Plastic transport case Cat. No. 511723

MZA 900 P – Phantom power adapter for wired applications of microphones with 3.5 mm jack plug Cat. No. 500226

MZA 900 P-4 – Phantom power adapter for wired applications of microphones with 3-pin lockable special connector Cat. No. 500872

Windshield cap for HSP 4, black Cat. No. 511715

Windshield cap for HSP 4, beige Cat. No. 511716

Set of clips for HSP 4, black Cat. No. 528168

Set of clips for HSP 4, beige Cat. No. 528167

Windshield for HSP 4, beige MZW 4 Cat. No. 510863

Windshield for HSP 4, black MZW 4 Cat. No. 510862