

HSP 2 High-quality condenser headmic

FEATURES

- Individually adjustable to all head sizes
- Neckband design keeps the microphone clear from shirt-collar or clothing
- Extremely thin microphone boom (Ø 1.1 mm), can be attached to the left or right side
- Microphone boom is adjustable in length and angle
- Patented Umbrella Diaphragm protects the microphone against sweat
- Connection cable can easily be interchanged
- All metal parts coated in a physical vapor deposition process
- Can also be used with the cardioid HSP4 boom microphone
- Modular overall system, i.e. all system components are easily interchangeable

High-quality permanently polarized condenser headmic with omni-directional pick-up pattern, designed for professional "hands free" applications. The adjustable neckband is visually unobtrusive and very comfortable to wear. The twelve available HSP 2 variants differ in color, size and connector.

For wireless applications, the headmic can be used with different Sennheiser bodypack transmitters, depending on the connection cable (see "Variants"). For wired applications, the headmic can be used with the MZA 900 P / MZA 900 P-4 phantom power adapter.

New: The HSP 2 is now available in a revised version with a new attachment clip for the microphone boom.

The new clip has a very rugged, closable design, providing an extremely secure fit of the microphone boom.

HSP neckbands equipped with the previous attachment clips can be retrofitted with the new ones which are available as spare parts.



ARCHITECT'S SPECIFICATIONS

The headmic shall be an omni-directional pre-polarized condenser designed for professional „hands free“ applications. It shall have an adjustable, visually unobtrusive neckband and an extremely thin microphone boom that shall be adjustable in length and angle. The headmic's connection cable and all other system components shall be easily interchangeable. The headmic shall be available in black or beige (-3 variant) and in two sizes: standard and small (-M variant, with a smaller neckband and a shorter microphone boom). It shall also be available with two different connectors [3-pin lockable special connector or 3.5 mm mini-jack (-ew variant)] or without connector (-5 variant, with open-ended steel wire cable). The frequency response shall be 20 Hz – 20,000 Hz and the sensitivity (free field, no load) shall be 2 mV/Pa at 1 kHz. Nominal impedance shall be 1 kΩ, with a min. terminating impedance of 4.7 kΩ. Maximum SPL shall be 150 dB, equivalent noise level shall be 28 dB(A). Continued on page 2

TECHNICAL DATA

Transducer principle	pre-polarized condenser microphone
Pick-up pattern.....	omni-directional
Frequency response	20...20,000 Hz
Sensitivity (free field, no load at 1kHz)	2 mV/Pa
Nominal impedance.....	1000 Ω
Min. terminating impedance	4700 Ω
Maximum sound pressure level (passive)	150 dB
Equivalent noise level	28 dB(A)
Current consumption	approx. 250 µA
Operating voltage (stand alone).....	4.5 –15 V
Cable length	1.6 m microphone head
Diameter of microphone capsule	4.8 mm boomarm
Diameter of boom arm	1.1 mm (without cable)
Weight (with neckband, without cable)	6.5 g (without cable)

Distinguishing features of HSP 2 and HSP 2-M ..	HSP 2 / HSP 2-M
Width of neckband	110 mm / 80 mm
Length of boom arm	183 mm / 153 mm
Radius of neckband	54 mm / 44 mm

DELIVERY INCLUDES
1 Boom microphone
1 Neckband

Continued on page 2

HSP 2 High-quality condenser headmic

ARCHITECT'S SPECIFICATIONS

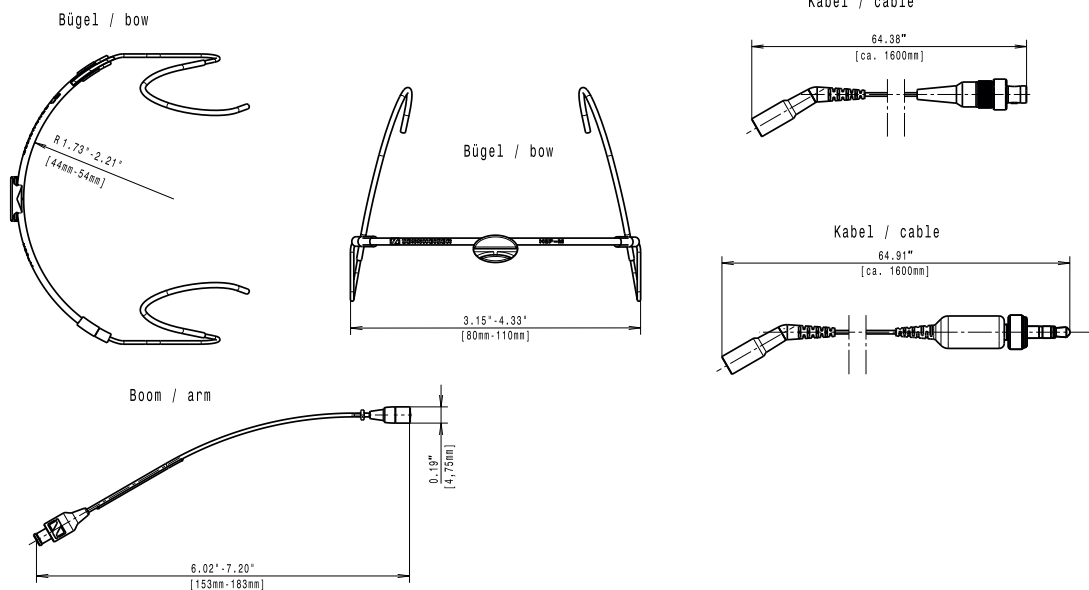
The current consumption shall be approximately 250 μ A. Operating voltage (stand alone) shall range from 4.5–15 V. The cable length shall be 1.6 m. Diameter of the microphone capsule shall be 4.8 mm (0.19"), diameter of the boom arm shall be 1.1 mm (0.04"). Weight without cable shall be 6.5 grams (0.23 oz). The headmic shall be the Sennheiser HSP 2.

TECHNICAL DATA

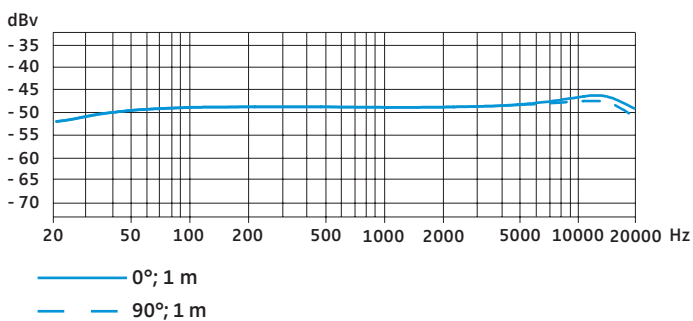
DELIVERY INCLUDES

- 5 Clips for attaching the microphone boom
- 1 Connection cable
- 1 Plastic transport case, foam-lined with cut-outs
- 2 Caps for altering the frequency response
- 1 Operating instructions
- 1 Silicon tube

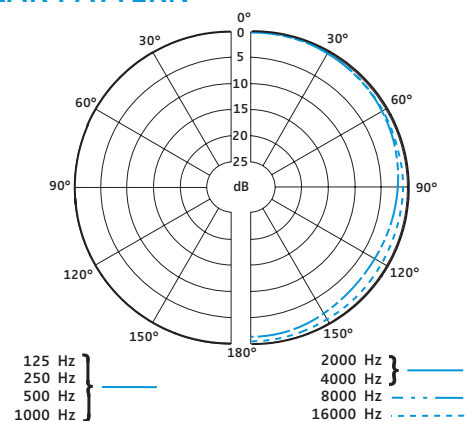
DIMENSIONS



FREQUENCY RESPONSE



POLAR PATTERN



HSP 2 High-quality condenser headmics

PRODUCT VARIANTS

HSP 2: Black, thin connection cable with 3-pin lockable special connector. Suitable for Sennheiser SK 50, SK 250, SK 5012, SK 5212 and SK 3063 bodypack transmitters. For wired applications, the headmic can be used with the intelligent MZA 900 P-4 phantom power adapter. Cat. No. 09862

HSP 2-M: As HSP 2, but with shorter microphone boom and smaller neckband. Cat. No. 500694

HSP 2-3: Beige, thin connection cable with 3-pin lockable special connector. Suitable for Sennheiser SK 50, SK 250, SK 5012, SK 5212 and SK 3063 bodypack transmitters. For wired applications, the headmic can be used with the intelligent MZA 900 P-4 phantom power adapter. Cat. No. 09863

HSP 2-3-M: As HSP 2-3, but with shorter microphone boom and smaller neckband. Cat. No. 500690

HSP 2-5: Black, steel wire cable with open ends. Cat. No. 09868

HSP 2-5-M: As HSP 2-5, but with shorter microphone boom and smaller neckband. Cat. No. 500691

HSP 2-3-5: Beige, steel wire cable with open ends. Cat. No. 09869

HSP 2-3-5-M: As HSP 2-3-5, but with shorter microphone boom and smaller neckband. Cat. No. 500689

HSP 2-ew: Black, steel wire cable with 3.5 mm mini-jack. Suitable for Sennheiser SK 100, SK 300 and SK 500 evolution wireless series bodypack transmitters. For wired applications, the headmic can be used with the intelligent MZA 900 P phantom power adapter. Cat. No. 09866

HSP 2-ew-M: As HSP 2-ew, but with shorter microphone boom and smaller neckband. Cat. No. 500693

HSP 2-ew-3: Beige, steel wire cable with 3.5 mm mini-jack. Suitable for Sennheiser SK 100, SK 300 and SK 500 evolution wireless series bodypack transmitters. For wired applications, the headmic can be used with the intelligent MZA 900 P phantom power adapter. Cat. No. 09872

HSP 2-ew-3-M: As HSP 2-ew-3, but with shorter microphone boom and smaller neckband. Cat. No. 500692

RECOMMENDED ACCESSORIES

Neckband, black	Cat. No. 511709
Neckband, HSP-M black	Cat. No. 515278
Neckband, beige	Cat. No. 511710
Neckband HSP 2-M, beige	Cat. No. 515279
HSP 2 – Boom microphone, beige	Cat. No. 511711
HSP 2-M – Boom microphone, beige	Cat. No. 515281
HSP 2 – Boom Microphone, black	Cat. No. 511712
HSP 2-M – Boom Microphone, black	Cat. No. 515280
Set of clips for HSP 2, black	Cat. No. 528166
Set of clips for HSP 2, beige	Cat. No. 528165
OFC copper/Kevlar cable with 3-pin lockable Lemo connector, black	Cat. No. 511717
OFC copper/Kevlar cable with 3-pin lockable Lemo connector, beige	Cat. No. 511718
Steel wire cable with 3.5 mm lockable mini-jack, black	Cat. No. 511719
Steel wire cable with 3.5 mm lockable mini-jack, beige	Cat. No. 511720
Steel wire cable with open ends, black	Cat. No. 511721
Steel wire cable with open ends, beige	Cat. No. 511722
Plastic transport case	Cat. No. 511723
MZA 900 P – Phantom power adapter for wired applications of microphones with 3.5 mm jack plug.	Cat. No. 500226
MZA 900 P-4 – Phantom power adapter for wired applications of microphones with 3-pin lockable special connector	Cat. No. 500872
MZ 2 – Make-up protector	Cat. No. 04743
Foam windshield for HSP 2, black MZW 02	Cat. No. 76615
MZW 2 – Windshield for HSP 2, black	Cat. No. 47185
MZW 2 – Windshield for HSP 2, beige	Cat. No. 47186
MZC 2-1 – Cap for HSP 2, short, beige	Cat. No. 85843
MZC 2-1 – Cap for HSP 2, short, black	Cat. No. 85842
MZC 2-2 – Cap for HSP 2, long, black	Cat. No. 85839
MZC 2-2 – Cap for HSP 2, long, beige	Cat. No. 85840