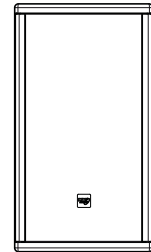
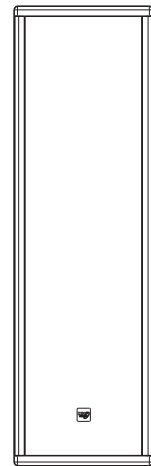


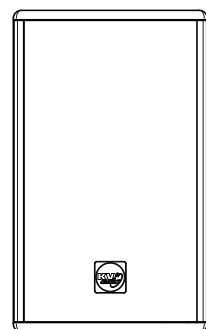
- ESD6



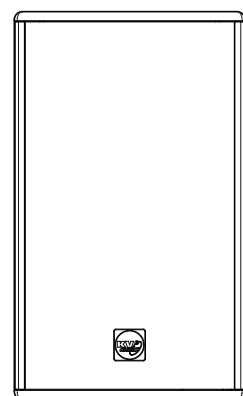
- ESD36



- ESD10



- ESD12



The future of sound. Made perfectly clear.

At KV2 Audio our vision is to constantly develop technologies that eliminate distortion and loss of information providing a true dynamic representation of the source.

Our aim is to create audio products that absorb you, place you within the performance and deliver a listening experience beyond expectation.

ESD6



Overview	4
Installation	5
Frequency characteristics	6
Specifications	7

ESD36



Overview	8
Installation	9
Frequency characteristics	10
Specifications	11

ESD10



Overview	12
Installation	13
Frequency characteristics	14
Specifications	15

ESD12



Overview	16
Installation	17
Frequency characteristics	18
Specifications	19

Accessories, Warranty

Accessories	20
Warranty	21

ESD6

Application:

- High quality fixed installations with or without subwoofers
- Portable PA Systems for AV, speech and multimedia playback
- Peripheral support for other EX, ESD, ES, Classic and VHD products
- High quality studio monitoring
- Compact monitoring and under balcony applications



MODEL NUMBER:
ESD6
PART NUMBER:
KVV 987 206

Description:

The ESD6 is a very high quality 2-way, full-range, compact passive loudspeaker solution with output that defies its size. With exceptional clarity for speech and musical reproduction, the ESD6 is perfect for discreet installations and audio visual presentations where sound quality is paramount but size also matters. Equally at home as a high end studio monitor the ESD6 features state of the art components and a revolutionary new passive delay line.

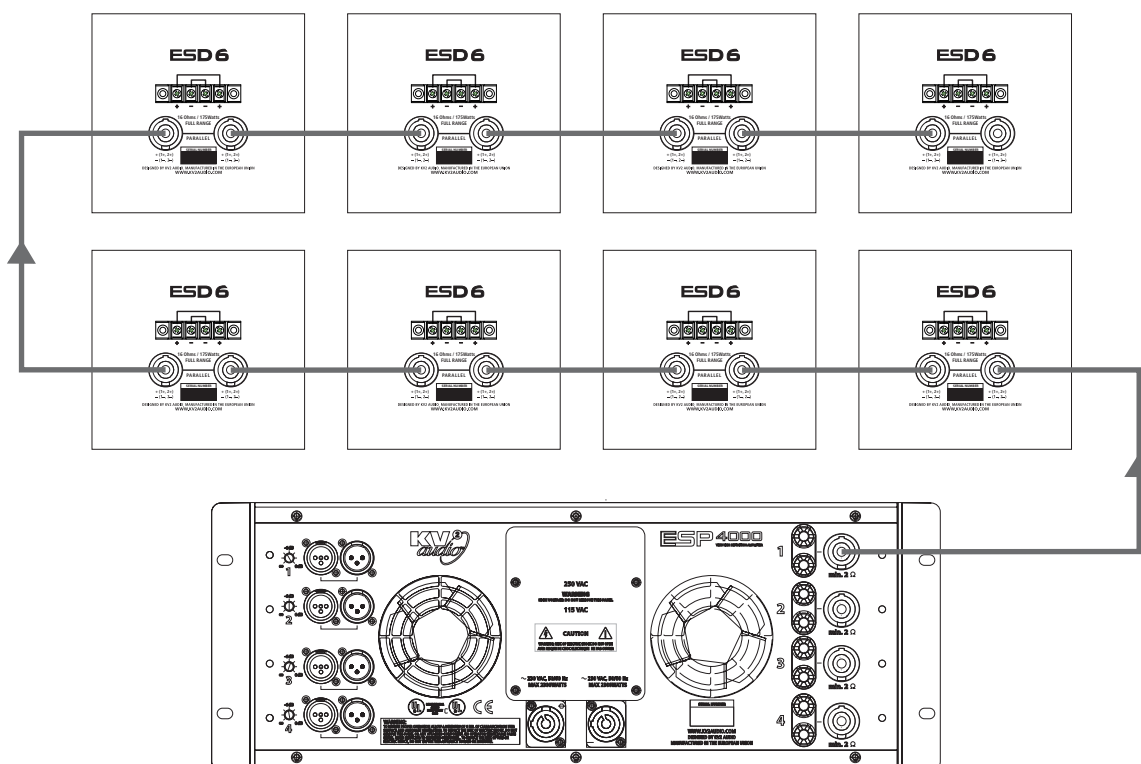
It is designed according to KV2 Audio's philosophies and offers enhanced dynamic range, increased resolution and high output with incredibly low distortion. The ESD6 has a very good balanced frequency response and accurate characteristics achieved by its electronic and acoustic design.

The ESD6 features a professional Baltic Birch construction with a wear resistant polymer coating and a specially designed handle for simplified handling and carrying. ESD6 is also available in any RAL colour (white RAL9003 on stock).

Connection:

The loudspeaker system is connected to an amplifier using Speacon (NL4) connectors or the terminal board. The connectors are interconnected in parallel to connect more loudspeaker systems.

PARALLEL CONNECTION OF THE ESD6 (16Ω) - TOTAL IMPEDANCE 2Ω



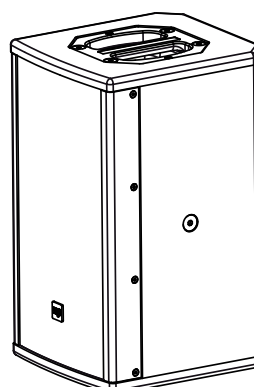
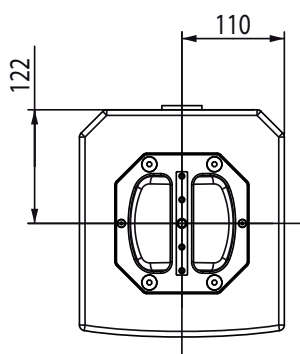
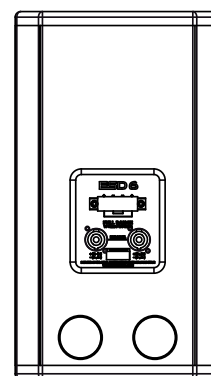
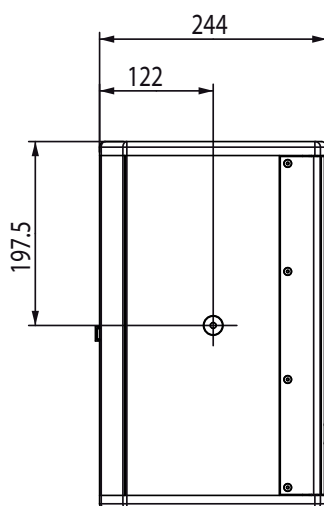
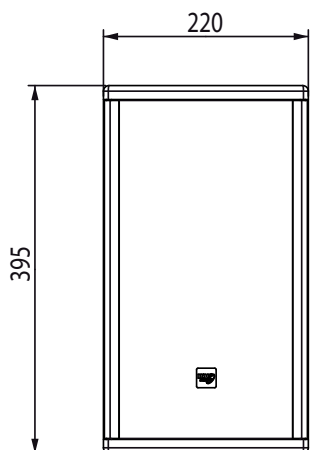
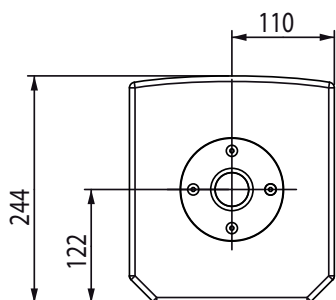
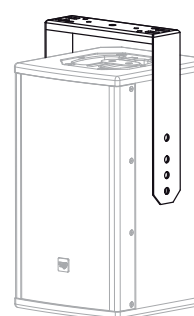
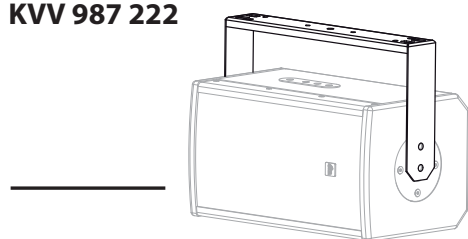
Installation:

Installations should be carried out using KV2 Audio's horizontal or vertical U brackets. They are mounted vertically using M10 points located on the side of the cabinet or in the top handle and bottom M10 plate (supplied with horizontal bracket) for horizontal fixing and to a mounting post with a diameter of 35mm using a support flange.

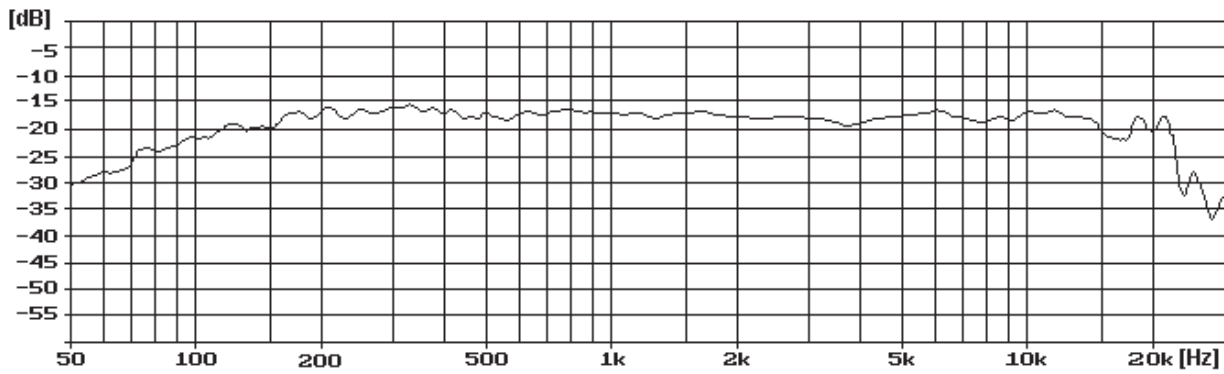
The ESD6 also features a 35mm speaker pole mount adapter housed at the bottom of the cabinet for use with conventional speaker stands and poles.

MODEL NUMBER:
ESD6 "U" HORIZONTAL BRACKET
PRODUCT CODE:
KVV 987 222

MODEL NUMBER:
EX6, ESD6 "U" VERTICAL BRACKET
PRODUCT CODE:
KVV 987 148

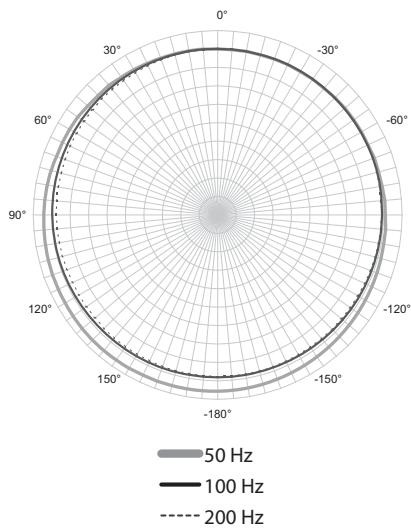


Frequency response

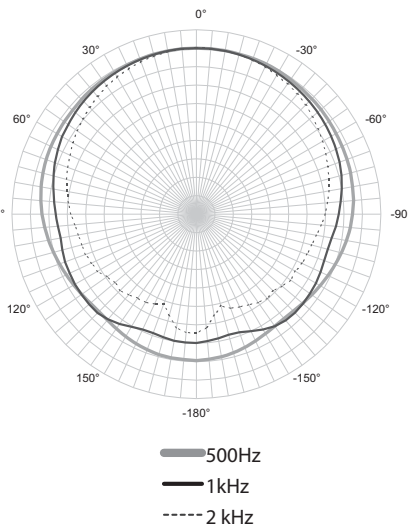


Horizontal Polarplots

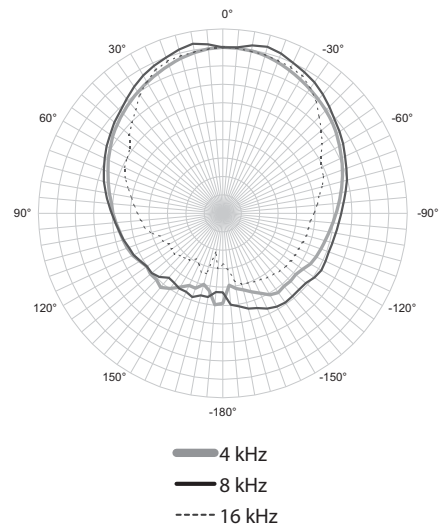
50 Hz - 200 Hz, 6 dB/div



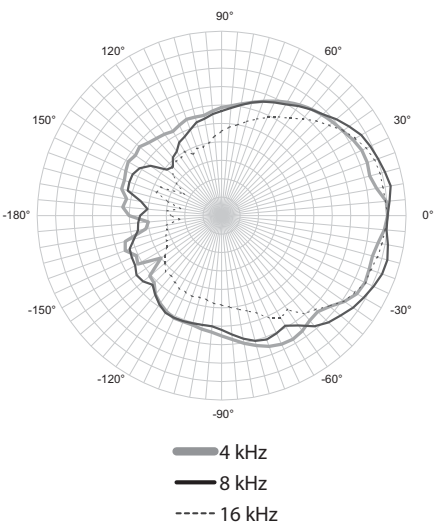
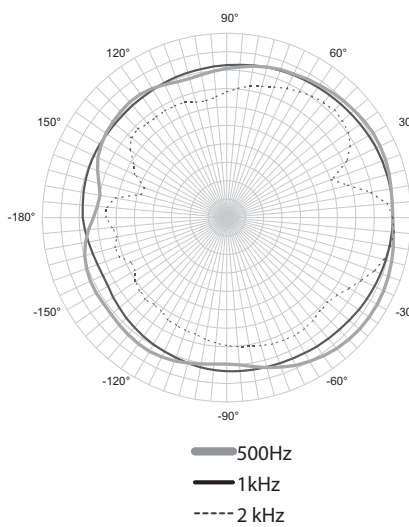
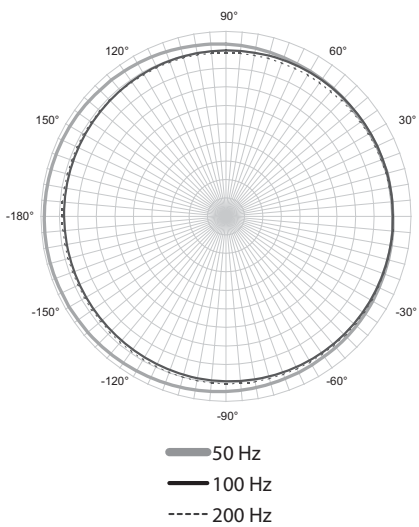
500 Hz - 2 kHz, 6 dB/div



4 kHz - 16 kHz, 6 dB/div



Vertical Polarplots



ESD6 Specifications:

System Acoustic Performance

Max SPL Long-term	117dB
Max SPL Peak	120dB
-3dB Response	68Hz - 20kHz
Recommended Power	175W
Sensitivity	92dB
Impedance	16Ω
Crossover Point	2.0kHz

High Frequency Section

Acoustic Design	Horn Loaded
High Horn Coverage Horizontal / Vertical	100° x 100°
Throat Exit Diameter / Diaphragm Size	1" / 1.75"
Diaphragm Material	Titanium
Magnet Type	Neodymium
Protection	RMS Limiter

Low Frequency Section

Acoustic Design	Front Loaded, Bass Reflex
Woofer Size / Voice Coil Diameter / Design	6" / 1.75" / Trans Coil
Magnet Type	Neodymium
Diaphragm Material	Epoxy Reinforced Cellulose
Protection	RMS Limiter

Speaker Input

Speaker Input	2x Neutrik Speakon®, Terminal Block
---------------	-------------------------------------

Cabinet

Cabinet Material	Baltic birch
Handles	1
Pole Mount	35mm
Color	"Orange peeled" Matt Black or any RAL

Physical Dimensions

Height	390mm (15.35")
Width	220mm (8.66")
Depth	240mm (9.45")
Weight	9.5kg (20.9lbs.)

ESD36

Application:

- High quality fixed installations with or without subwoofers
- Portable PA Systems for AV, speech and multimedia playback
- Peripheral support for other EX, ESD, ES, Classic and VHD products
- Small to medium-sized Live Music applications
- Compact monitoring and under balcony applications

Description:

The ESD36 is a passive, full-range 3-way speaker system designed for speech and music reproduction. The ESD36 features a 6" driver dedicated to high-quality mid-range reproduction and a further two low frequency 6" drivers for enhanced bass extension. Alongside the same compression driver as the popular EX6, the ESD36 offers comparable performance to many larger cabinets with an strong vocal performance from the 3-way design.



MODEL NUMBER:
ESD36
PART NUMBER:
KVV 987 224

It is designed according to KV2 Audio's philosophies and offers enhanced dynamic range, increased resolution and high output with incredibly low distortion figures. The ESD36 has a very good balanced frequency response and exceptional phase characteristics achieved by its electronic and acoustic design.

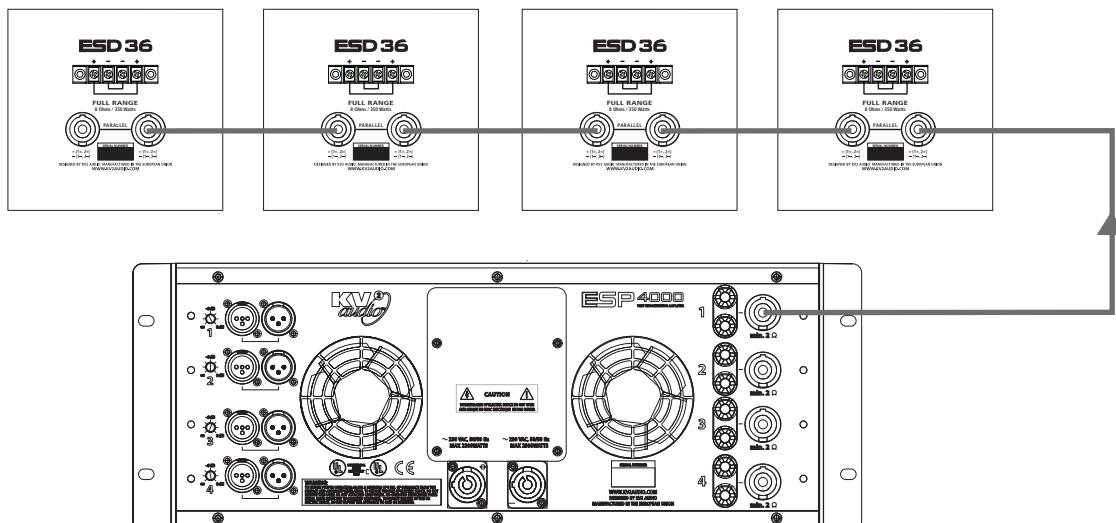
The balanced phase characteristic is achieved by means of a unique dividing network containing a revolutionary passive delay line. The ESD36 also boasts electronic protection and monitors the maximum signal level and tweeter RMS signal. The 6" woofers are protected by a reverse thermal circuit-breaker (autoreset).

The ESD36 features a professional Baltic Birch construction with a wear resistant polymer coating and a specially designed handle for simplified handling and carrying. ESD36 is also available in any RAL colour (white RAL9003 on stock).

Connection:

The ESD36 features both Speakon (NL4) connectors and a terminal block. The connectors are interconnected in parallel to allow the "daisy chaining" of additional ESD36's.

PARALLEL CONNECTION OF THE ESD36 (8Ω) - TOTAL IMPEDANCE 2Ω



Installation:

Installations should be carried out using KV2 Audio's horizontal or vertical U brackets. They are mounted vertically using M10 points located on the side of the cabinet or in the top handle and bottom M10 plate (supplied with horizontal bracket) for horizontal fixing and to a mounting post with a diameter of 35mm using a support flange.

The ESD36 also features a 35mm speaker pole mount adapter housed at the bottom of the cabinet for use with conventional speaker stands and poles.

MODEL NUMBER:

ESD36 "U" HORIZONTAL BRACKET

PRODUCT CODE:

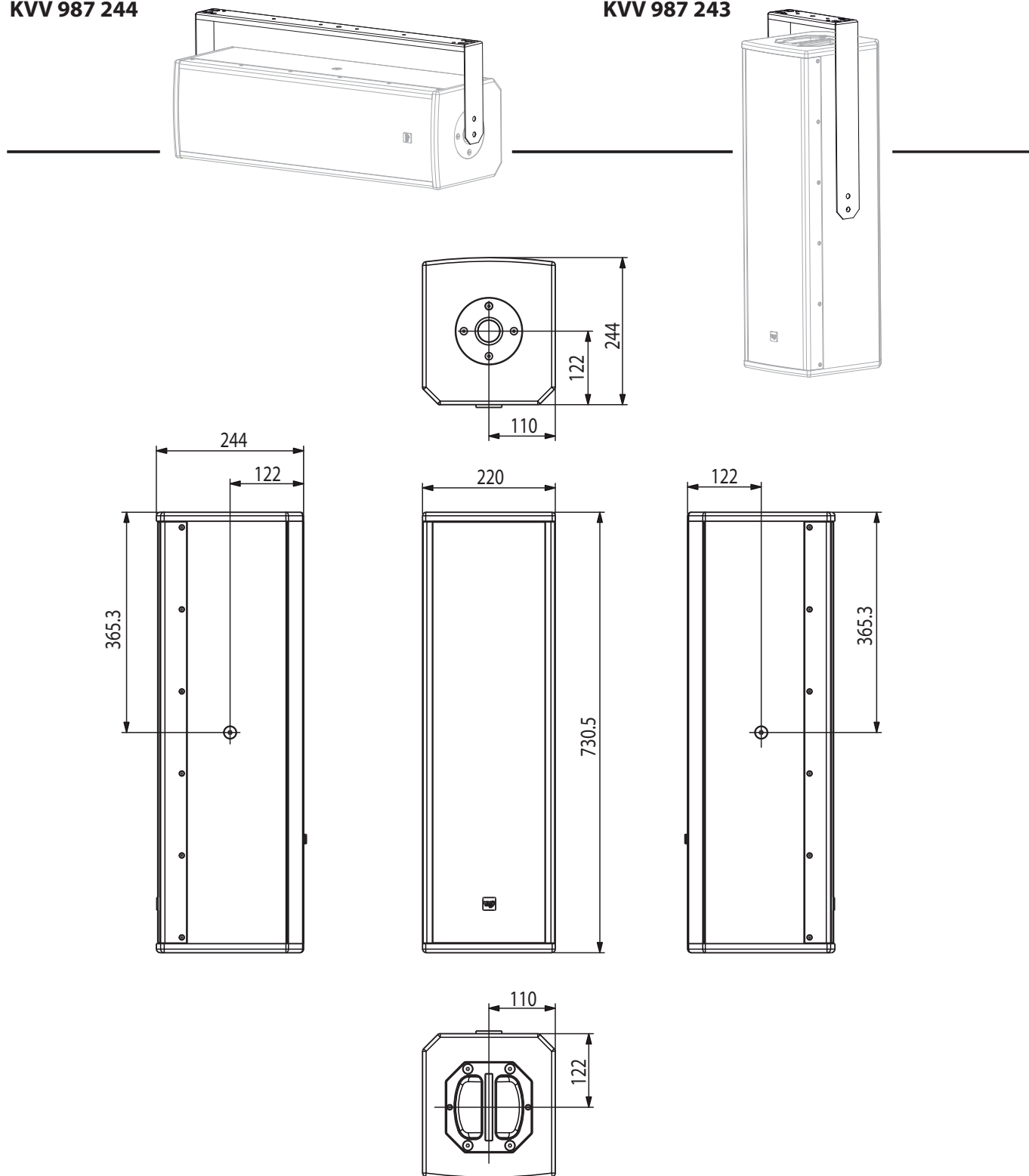
KVV 987 244

MODEL NUMBER:

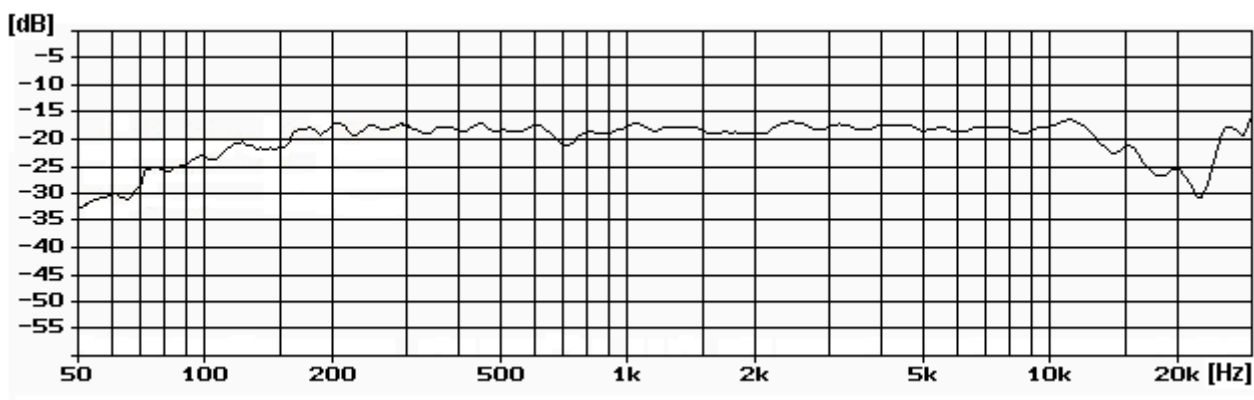
ESD36 "U" VERTICAL BRACKET

PRODUCT CODE:

KVV 987 243

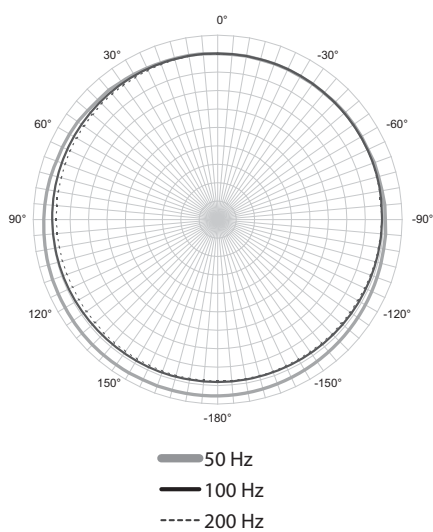


Frequency response

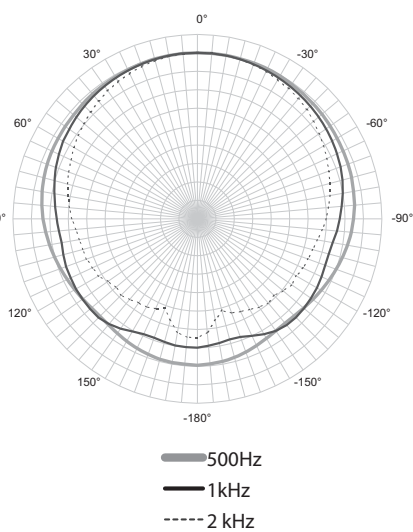


Horizontal Polarplots

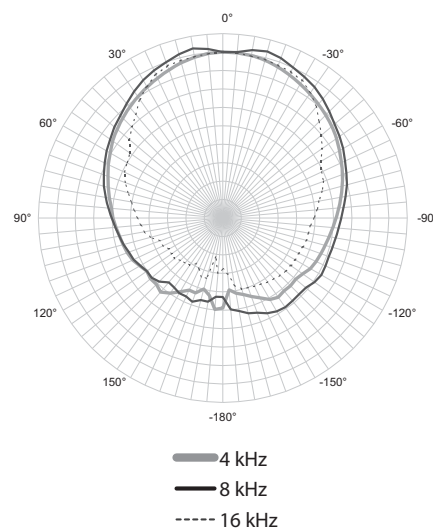
50 Hz - 200 Hz, 6 dB/div



500 Hz - 2 kHz, 6 dB/div



4 kHz - 16 kHz, 6 dB/div



ESD36 Specifications:

System Acoustic Performance

Max SPL Long-term	122dB
Max SPL Peak	125dB
-3dB Response	65Hz - 25kHz
Recommended Power	350W
Sensitivity	94dB
Impedance	8Ω
Crossover Point	600Hz, 2.5kHz

High Frequency Section

Acoustic Design	Horn Loaded
High Horn Coverage Horizontal / Vertical	100° x 100°
Throat Exit Diameter / Diaphragm Size	1" / 1.75"
Diaphragm Material	Nitride Titanium
Magnet Type	Neodymium
Protection	RMS Limiter

Mid Range Section

Acoustic Design	Low Inductance Lightweight
Woofer Size / Voice Coil Diameter / Design	6" / 1.75"
Diaphragm Material	Epoxy Reinforced Cellulose
Magnet Type	Neodymium
Protection	RMS Limiter

Low Frequency Section

Acoustic Design	Front Loaded, Bass Reflex
Woofer Size / Voice Coil Diameter / Design	2 x 6" / 1.75"
Diaphragm Material	Epoxy Reinforced Cellulose
Magnet Type	Neodymium
Protection	RMS Limiter

Speaker Input

Speaker Input	2x Neutrik Speakon®, Terminal Block
---------------	-------------------------------------

Cabinet

Cabinet Material	Baltic birch
Handles	1
Pole Mount	35mm
Color	"Orange peeled" Matt Black or any RAL

Physical Dimensions

Height	730,5mm (28.76")
Width	220mm (8.66")
Depth	240mm (9.45")
Weight	19kg (41.9lbs.)

ESD10

Application:

- High quality fixed installations with or without subwoofers
- Portable PA Systems for AV, speech and multimedia playback
- Peripheral support for other EX, ESD, ES, Classic and VHD products
- Small to medium-sized Live Music applications
- High quality studio monitoring
- Floor monitoring and under balcony applications



MODEL NUMBER:
ESD10
PART NUMBER:
KVV 987 207

Description:

The ESD10 is a very compact passive 2-way, high output, full-range loudspeaker. Despite its 10" woofer and remarkably small footprint it successfully outperforms many larger 12" models and offers incredible quality and tremendous output. The ESD10 features KV2 Audio's revolutionary passive delay line that ensures that it is incredibly balanced, accurate and phase coherent.

It is designed according to KV2 Audio's philosophies and offers enhanced dynamic range, increased resolution and high output with exceptionally low distortion figures. The ESD10 has a very good balanced frequency response and accurate phase characteristics achieved by its electronic and acoustic design.

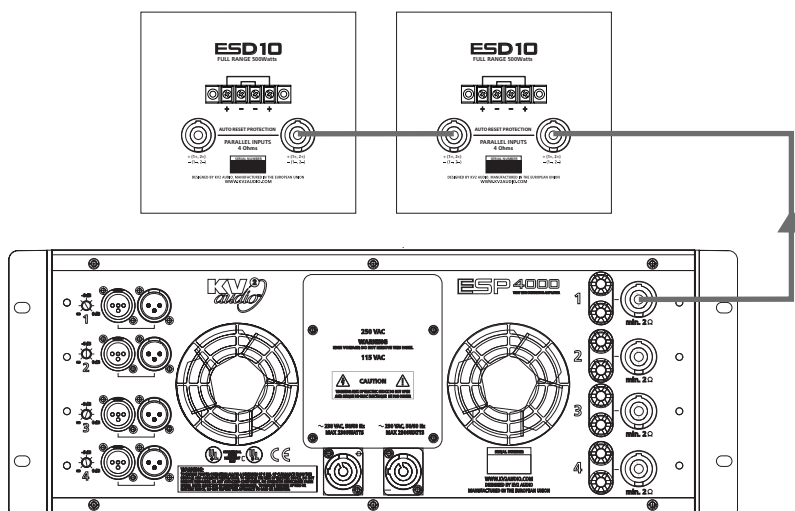
The low distortion figures are achieved using a 10" Super Acoustic Active Impedance Control loudspeaker with zero inductance specifically developed by KV2 Audio. The balanced phase characteristic is achieved by means of a unique dividing network containing a revolutionary passive delay line. The ESD10 also boasts electronic protection and monitors the maximum signal level and tweeter RMS signal. The 10" woofer is protected by a reverse thermal-circuit breaker (autoreset).

The ESD10 features a professional Baltic Birch construction with a wear resistant polymer coating and a specially designed handle for simplified handling and carrying. ESD10 is also available in any RAL colour (white RAL9003 on stock).

Connection:

The ESD10 features both Speakon (NL4) connectors and a terminal block. The connectors are interconnected in parallel to allow the "daisy chaining" of additional ESD10's.

PARALLEL CONNECTION OF THE ESD10 (4Ω) - TOTAL IMPEDANCE 2Ω



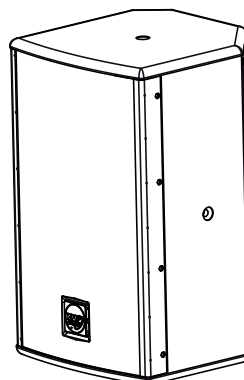
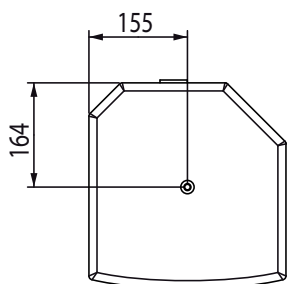
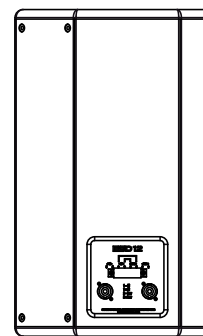
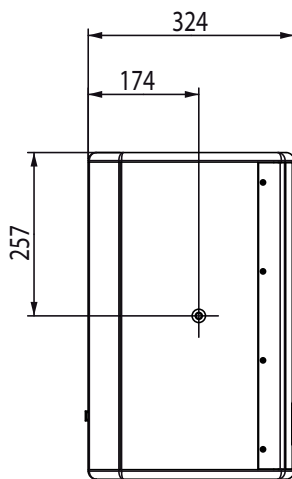
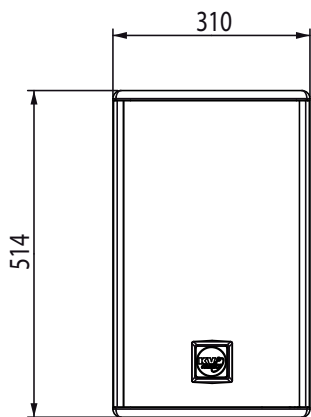
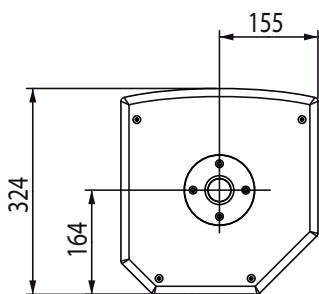
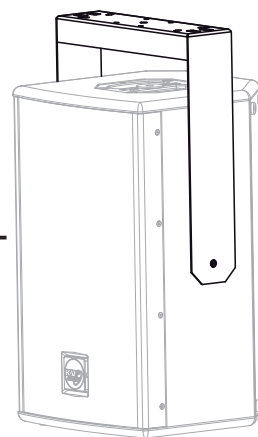
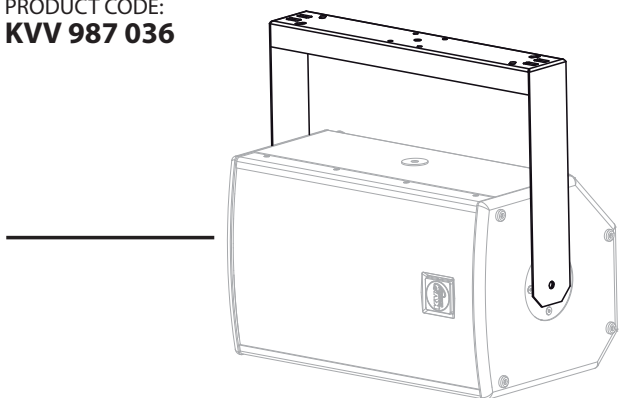
Installation:

Installations should be carried out using KV2 Audio's horizontal or vertical U brackets. They are mounted vertically using M10 points located on the side of the cabinet or in the top handle and bottom M10 plate (supplied with horizontal bracket) for horizontal fixing and to a mounting post with a diameter of 35mm using a support flange.

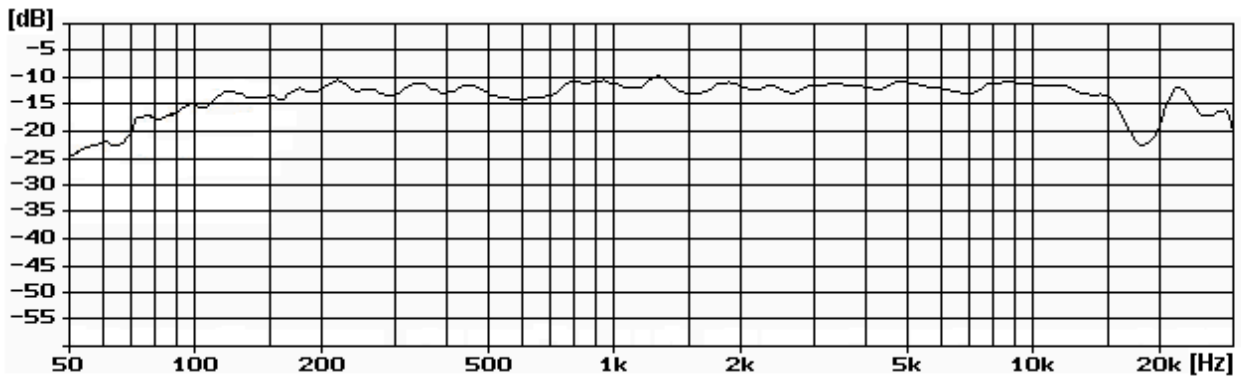
The ESD10 also features a 35mm speaker pole mount adapter housed at the bottom of the cabinet for use with conventional speaker stands and poles.

MODEL NUMBER:
EX10, ESD10 "U" HORIZONTAL BRACKET
 PRODUCT CODE:
KVV 987 036

MODEL NUMBER:
EX10, ESD10 "U" VERTICAL BRACKET
 PRODUCT CODE:
KVV 987 033

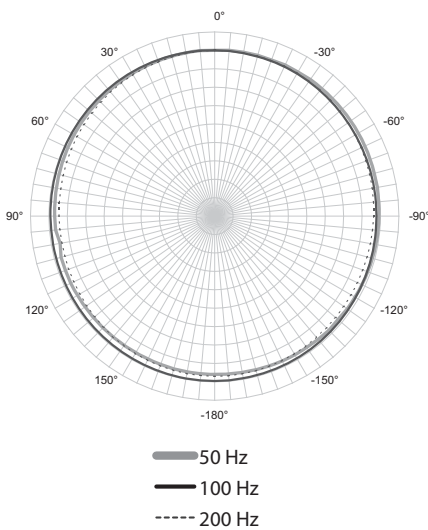


Frequency response

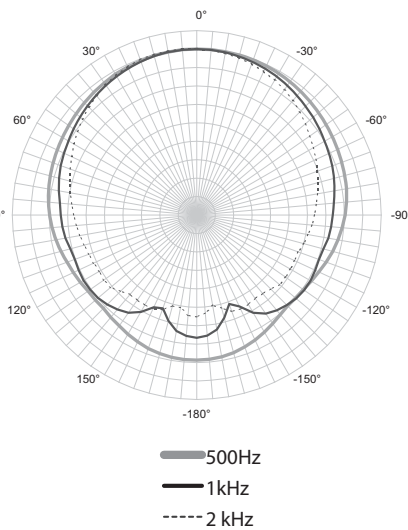


Horizontal Polarplots

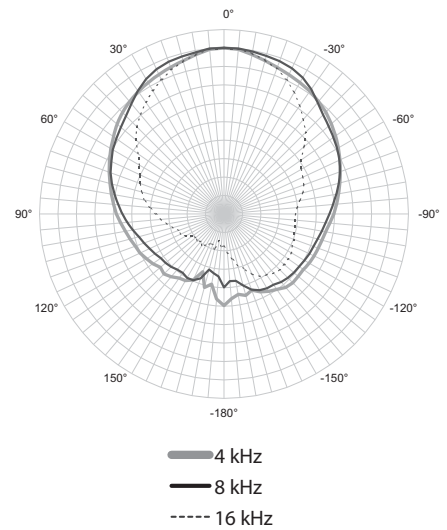
50 Hz - 200 Hz, 6 dB/div



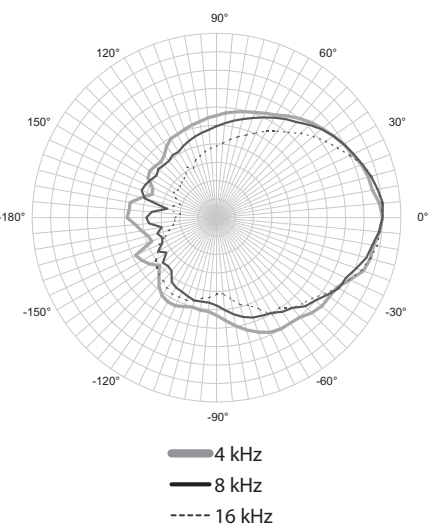
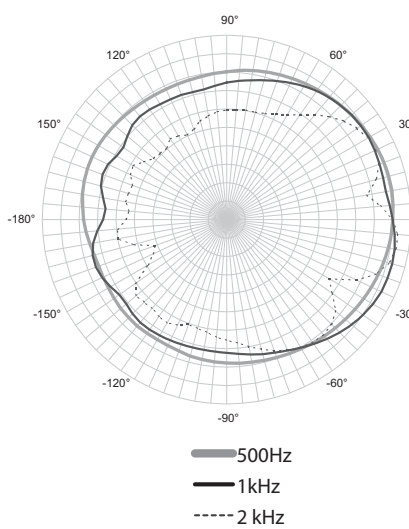
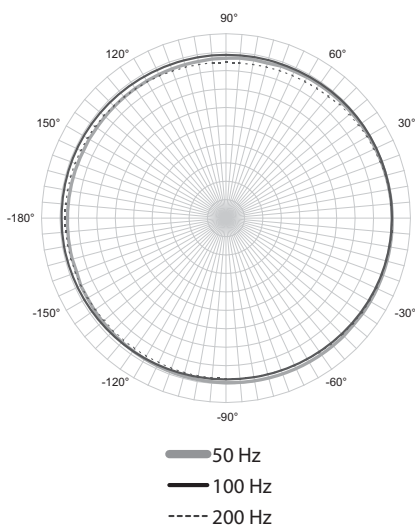
500 Hz - 2 kHz, 6 dB/div



4 kHz - 16 kHz, 6 dB/div



Vertical Polarplots



ESD10 Specifications:

System Acoustic Performance

Max SPL Long-term	125dB
Max SPL Peak	128dB
-3dB Response	65Hz - 20kHz
Recommended Power	500W
Sensitivity	96dB
Impedance	4Ω
Crossover Point	1.8kHz

High Frequency Section

Acoustic Design	Horn Loaded
High Horn Coverage Horizontal / Vertical	100° x 90°
Rotatable Horn	YES
Throat Exit Diameter / Diaphragm Size	1" / 1.75"
Diaphragm Material	Titanium
Magnet Type	Neodymium
Protection	RMS Limiter

Low Frequency Section

Acoustic Design	Front Loaded, Bass Reflex
Woofer Size / Voice Coil Diameter / Design	10" / 2.5"
Diaphragm Material	Epoxy Reinforced Cellulose
Magnet Type	Neodymium
Protection	RMS Limiter

Speaker Input

Speaker Input	2x Neutrik Speakon®, Terminal Block
---------------	-------------------------------------

Cabinet

Cabinet Material	Baltic birch
Handles	1
Pole Mount	35mm
Color	"Orange peeled" Matt Black or any RAL

Physical Dimensions

Height	514mm (20.23")
Width	310mm (12.20")
Depth	325mm (12.79")
Weight	16.5kg (36.8lbs.)

ESD12

Application:

- High quality fixed installations with or without subwoofers
- Portable PA Systems for AV, speech and multimedia playback
- Peripheral support for other EX, ESD, ES and VHD products
- Small to medium-sized Live Music applications
- High quality studio monitoring
- Floor monitoring applications



MODEL NUMBER:
ESD12
PART NUMBER:
KVV 987 199

Description:

The ESD12 is a very high quality 2-way, passive 12" full-range loudspeaker. The ESD12 features a revolutionary passive delay line which, along with the same 3" NVPD large format compression driver found in KV2 Audio's flagship VHD products, makes the ESD12 one of the most balanced, phase coherent and accurate compact, 2-way passive boxes on the market today.

It is designed according to KV2 Audio's philosophies and offers enhanced dynamic range, increased resolution and high output with incredibly low distortion figures. The ESD12 has a very good balanced frequency response and exceptional phase characteristics achieved by its electronic and acoustic design.

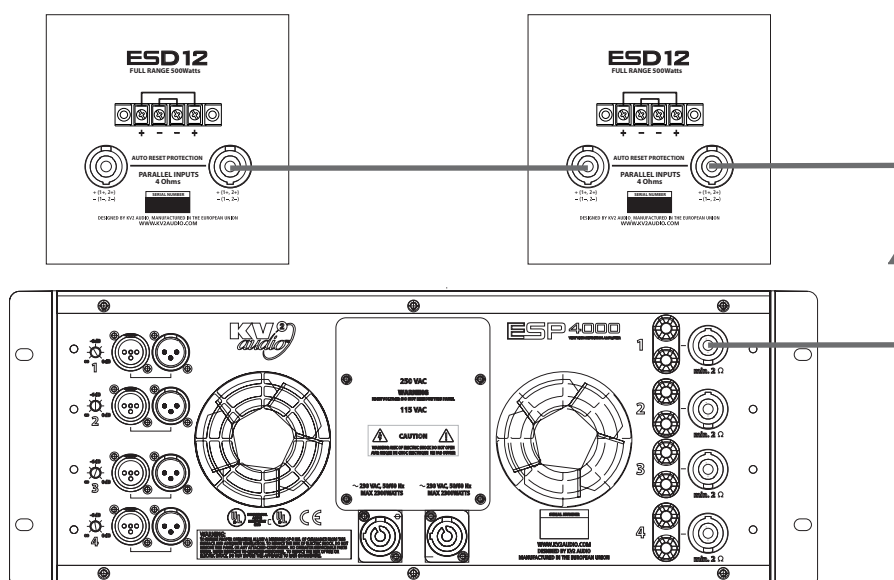
The low distortion figures are achieved using a 12" Super Acoustic Active Impedance Control loudspeaker with zero inductance specifically developed by KV2 Audio. The balanced phase characteristic is achieved by means of a unique dividing network containing a revolutionary passive delay line. The ESD12 also boasts electronic protection and monitors the maximum signal level and tweeter signal. The 12" woofer is protected by a reverse thermal-circuit breaker (autoreset).

The ESD12 features a professional Baltic Birch construction with a wear resistant polymer coating and a specially designed handle for simplified handling and carrying. ESD12 is also available in any RAL colour (white RAL9003 on stock).

Connection:

The ESD12 features both Speakon (NL4) connectors and a terminal block. The connectors are interconnected in parallel to allow the "daisy chaining" of additional ESD12's.

PARALLEL CONNECTION OF THE ESD12 (4Ω) - TOTAL IMPEDANCE 2Ω



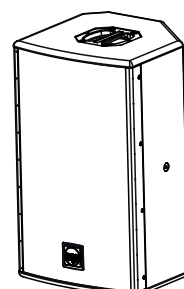
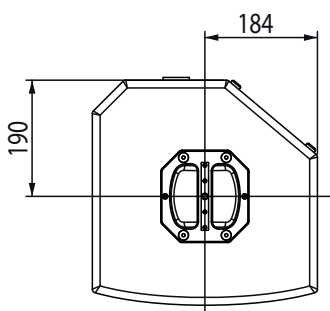
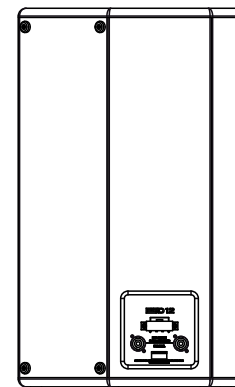
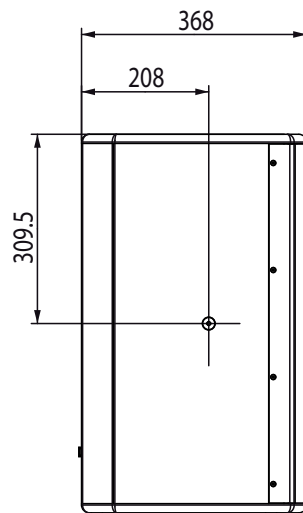
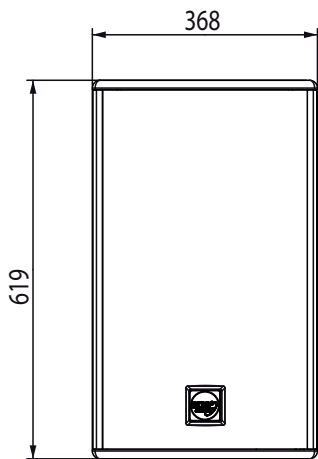
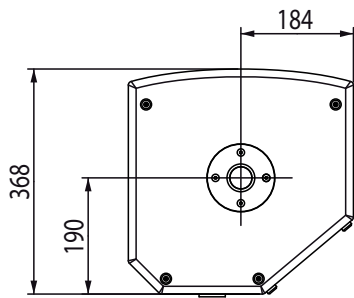
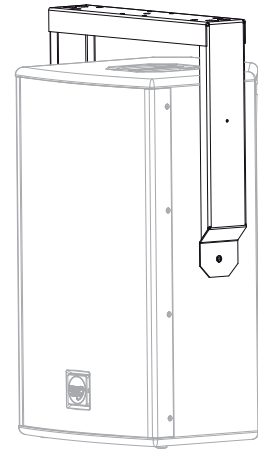
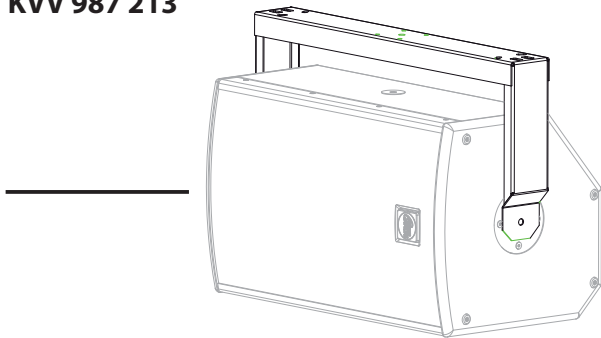
Installation:

Installations should be carried out using KV2 Audio's horizontal or vertical U brackets. They are mounted vertically using M10 points located on the side of the cabinet or in the top handle and bottom M10 plate (supplied with horizontal bracket) for horizontal fixing and to a mounting post with a diameter of 35mm using a support flange.

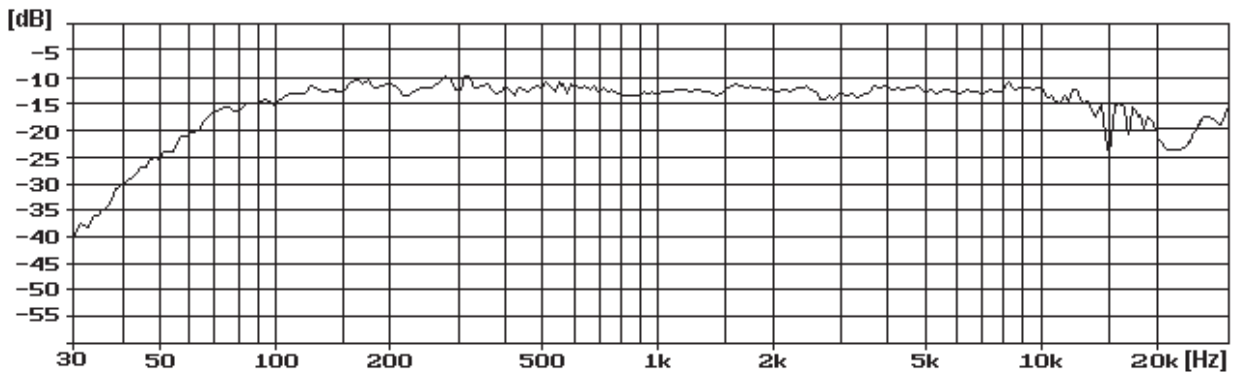
The ESD12 also features a 35mm speaker pole mount adapter housed at the bottom of the cabinet for use with conventional speaker stands and poles.

MODEL NUMBER:
ESD12 "U" HORIZONTAL BRACKET
 PRODUCT CODE:
KVV 987 213

MODEL NUMBER:
EX12, ESD12 "U" VERTICAL BRACKET
 PRODUCT CODE:
KVV 987 057

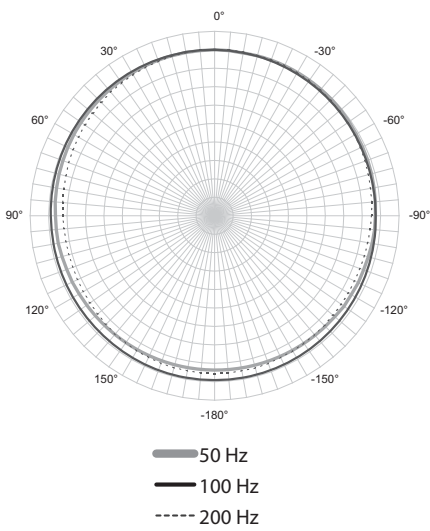


Frequency response

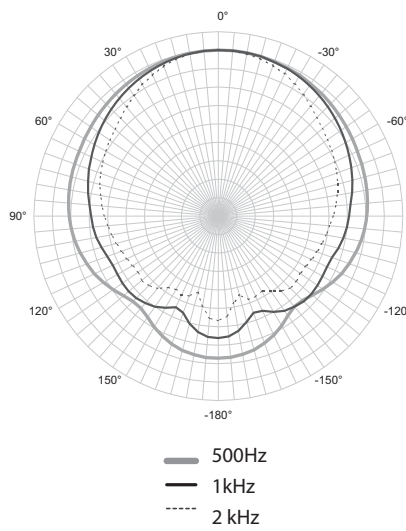


Horizontal Polarplots

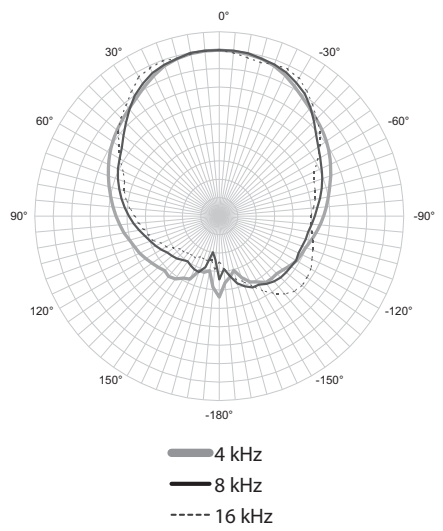
50 Hz - 200 Hz, 6 dB/div



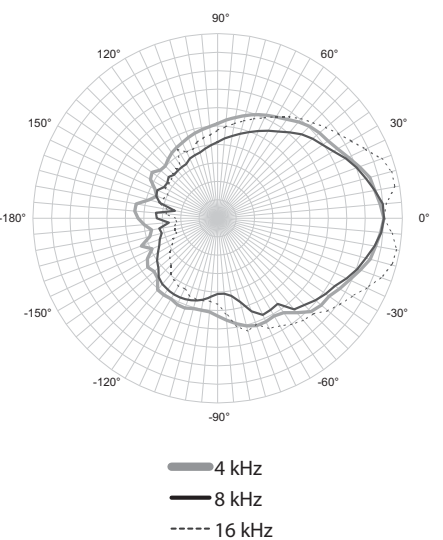
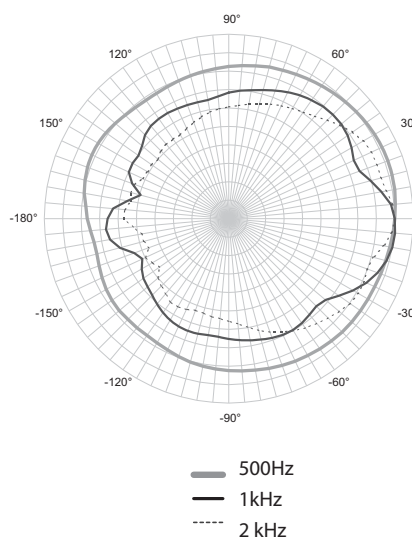
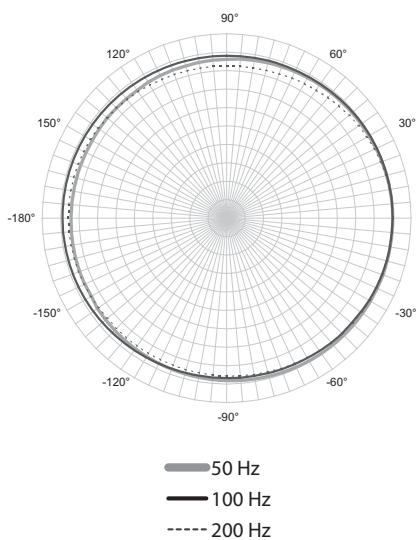
500 Hz - 2 kHz, 6 dB/div



4 kHz - 16 kHz, 6 dB/div



Vertical Polarplots



ESD12 Specifications:

System Acoustic Performance

Max SPL Long-term	127dB
Max SPL Peak	130dB
-3dB Response	55Hz - 22kHz
Recommended Power	500W
Sensitivity	98dB
Impedance	4Ω
Crossover Point	1.2kHz

High Frequency Section

Acoustic Design	Horn Loaded
High Horn Coverage Horizontal / Vertical	80° x 40°
Rotatable Horn	YES
Throat Exit Diameter / Diaphragm Size	1" / 3"
Diaphragm Material	Nitride Titanium
Magnet Type	Neodymium
Protection	RMS Limiter

Low Frequency Section

Acoustic Design	Front Loaded, Bass Reflex
Woofer Size / Voice Coil Diameter / Design	12" / 2.5" / Trans Coil
Diaphragm Material	Epoxy Reinforced Cellulose
Magnet Type	Neodymium
Protection	Thermal breaker - autoreset

Speaker Input

Speaker Input	2x Neutrik Speakon®, Terminal Block
---------------	-------------------------------------

Cabinet

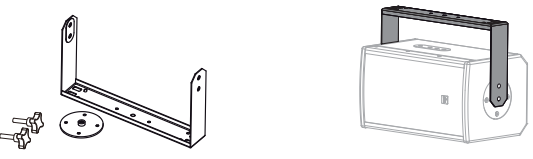
Cabinet Material	Baltic birch
Handles	1
Pole Mount	35mm
Color	"Orange peeled" Matt Black or any RAL

Physical Dimensions ESD12

Height	606mm (23.86")
Width	368mm (14.48")
Depth	368mm (14.48")
Weight	23kg (50.7lbs.)

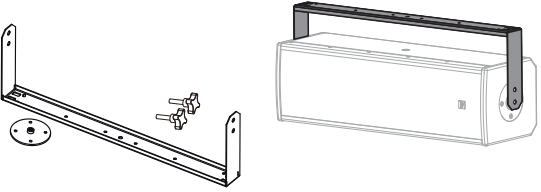
ESD ACCESSORIES (Also available in white, RAL9003)

HEAVY - DUTY HORIZONTAL BRACKET. BLACK



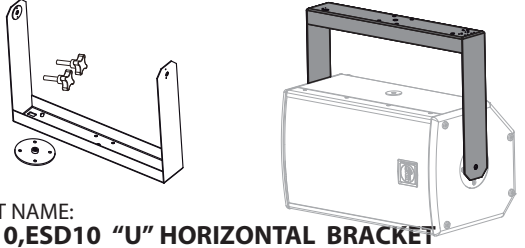
PART NAME:
ESD6 "U" HORIZONTAL BRACKET

PART NUMBER:
KVV 987 222



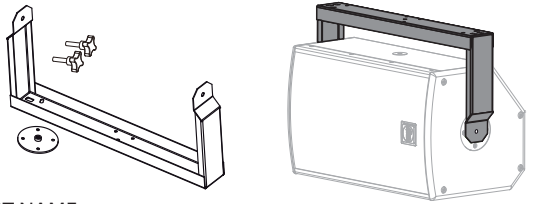
PART NAME:
ESD36 "U" HORIZONTAL BRACKET

PART NUMBER:
KVV 987 244



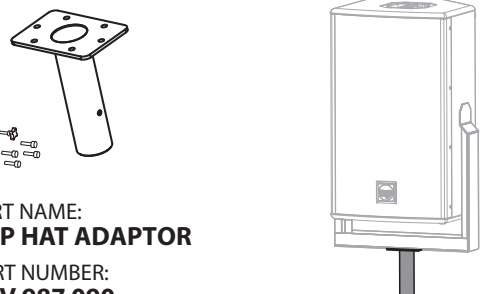
PART NAME:
ESD10,ESD10 "U" HORIZONTAL BRACKET

PART NUMBER:
KVV 987 036



PART NAME:
ESD12 "U" HORIZONTAL BRACKET


PART NUMBER:
KVV 987 213



PART NAME:
TOP HAT ADAPTOR

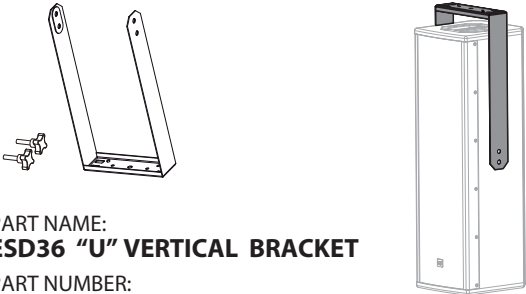
PART NUMBER:
KVV 987 090

HEAVY - DUTY VERTICAL BRACKET. BLACK



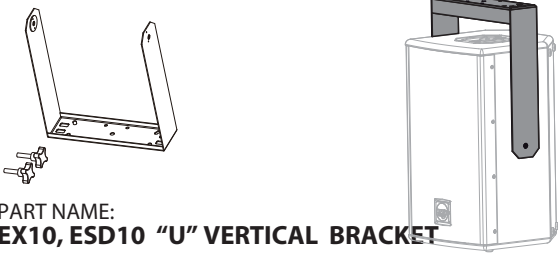
PART NAME:
EX6, ESD6 "U" VERTICAL BRACKET

PART NUMBER:
KVV 987 148



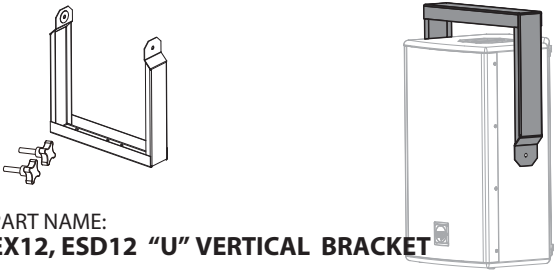
PART NAME:
ESD36 "U" VERTICAL BRACKET

PART NUMBER:
KVV 987 243



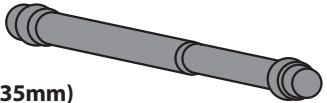
PART NAME:
EX10, ESD10 "U" VERTICAL BRACKET

PART NUMBER:
KVV 987 033



PART NAME:
EX12, ESD12 "U" VERTICAL BRACKET

PART NUMBER:
KVV 987 057



PART NAME:
SPEAKER POLE KV2 - L (35mm)

PART NUMBER:
KVV 987 041

PART NAME:
SPEAKER POLE KV2 - H (with M20 screw thread)

PART NUMBER:
KVV 987 130

PADDED HEAVY DUTY COVERS



PART NAME:
COVER ESD6
PART NUMBER:
KVV 987 210



PART NAME:
COVER ESD36
PART NUMBER:
KVV 987 260

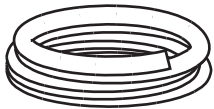


PART NAME:
COVER ESD10
PART NUMBER:
KVV 987 211

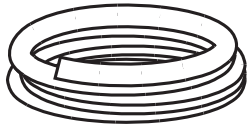


PART NAME:
COVER ESD12
PART NUMBER:
KVV 987 212

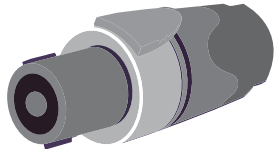
SPEAKER CABLES



PART NAME:
**1m - round flexible speaker cable,
cross section 2 x 1.5mm**
PART NUMBER:
KVV 987 250

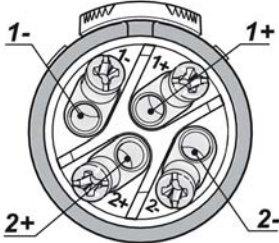


PART NAME:
**1m - round flexible speaker cable,
cross section 4 x 2.5mm**
PART NUMBER:
KVV 987 251



PART NAME:
SPEAKON NL4
PART NUMBER:
KVV 987 240

ESD, Speakon NL4 wiring



positive pin
(1 +, 2 + parallel)

negative pin
(1 -, 2 - parallel)

RECOMMENDED SPEAKER CABLE LENGTHS

MINIMUM CROSS SECTION	LENGTH, IMPEDANCE 4Ω	LENGTH, IMPEDANCE 8Ω	LENGTH, IMPEDANCE 16Ω
1.5	8	15	30
2.5	15	30	60
2 x 2.5	20	40	90
4	25	50	100

WARRANTY:

Your ESD is covered against defects in material and workmanship. Refer to your supplier for more details.

SERVICE:

In the unlikely event that your ESD develops a problem, it must be returned to an authorised distributor, service centre or shipped directly to our factory. Because of the complexity of the design and the risk of electrical shock, all repairs must be attempted only by qualified technical personnel.

If the unit needs to be shipped back to the factory, it must be sent in its original carton. If improperly packed, the unit may be damaged.

To obtain service, contact your nearest KV2 Audio Service Centre, Distributor or Dealer.

The future of sound. Made perfectly clear.

At KV2 Audio our vision is to constantly develop technologies that eliminate distortion and loss of information providing a true dynamic representation of the source.

Our aim is to create audio products that absorb you, place you within the performance and deliver a listening experience beyond expectation.



KV2 Audio, Nádražní 936, 399 01 Milevsko, Czech Republic
Tel. +44(0)1423 816868
www.kv2audio.com