

# ND1030

## Neo High Frequency Driver

### Key Features

- 107 dB SPL 1W / 1m average sensitivity
- 1 inch exit throat
- 34,4 mm (1 1/3 inch) voice coil diameter
- 60 Watt program power handling
- Pure Titanium diaphragm
- Proprietary phase plug design
- Neodymium magnetic structure



### General Description

The ND1030 1-inch exit high frequency compression driver has been designed for use in high quality two-way audio systems.

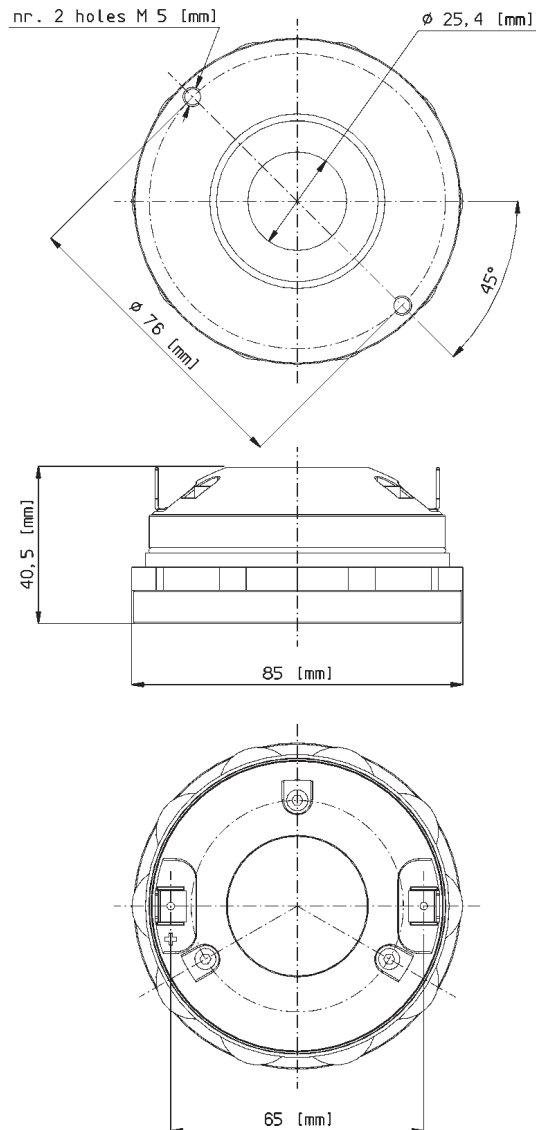
The ND1030 exhibits a constant slope response from 1.5kHz to 18kHz with a uniform and smooth roll-off. With a 900Hz free air resonance frequency, the ND1030 can easily be cut-off at 1800Hz and is capable of 60W continuous power handling with a 1800Hz pink-noise signal, and a 6dB crest factor with a minimum 12dB/oct crossover slope.

Equipped with unique Phase Plug architecture, the ND1030 has been designed to give a smooth coherent wavefront at the horn entrance in the whole working frequency range, as well as high level manufacturing consistency. The phase plug design with its short openings and high flare rate value assures low distortion and demonstrates remarkable improvements in mid-high frequency reproduction.

The ND1030 titanium diaphragm assembly, with its ellipsoidal suspension shape, exhibits a constant slope response from 1kHz to 18kHz with uniform smooth roll-off behavior. An edge-wound aluminum voice coil, wound on proprietary treated Nomex, completes the diaphragm assembly. Nomex shows a 30% higher value of tensile elongation at a working operative temperature (200°C) when compared to Kapton. This feature enables proper energy transfer control from the voice coil to the dome in real working conditions. Moreover, this proprietary former material is also suitable for use in higher moisture content environments.

By careful use of elementary pieces of neodymium magnets, Eighteen Sound engineers have developed a powerful neodymium magnet assembly capable of reaching 18KGauss in the gap within a compact and lightweight structure.

0421M8N800 8ohm



NEODYMIUM HF DRIVERS

**ND1030**

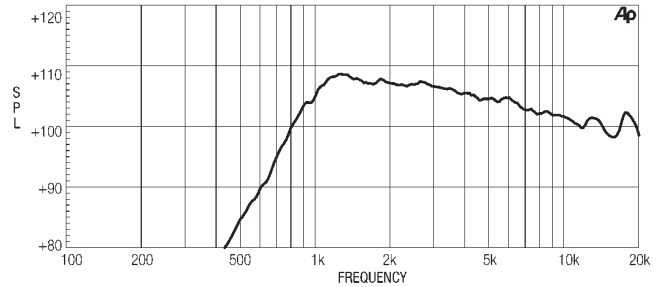
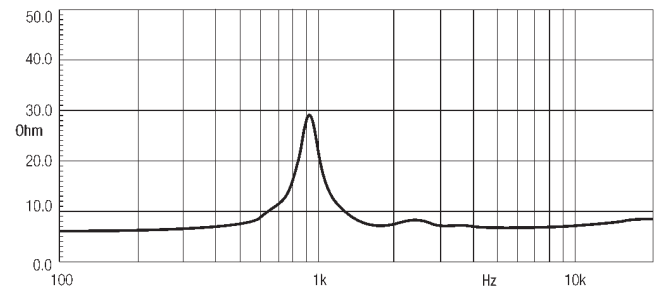
Neo High Frequency Driver

**GENERAL SPECIFICATIONS**

THROAT DIAMETER	25,4 mm (1 in)
RATED IMPEDANCE	8 ohm
DC RESISTANCE	5,8 Ohm
MINIMUM IMPEDANCE	6,5 Ohm at 5000Hz
LE (AT 1KHZ)	54 µH
AES POWER (1)	30 W above 2 kHz
PROGRAM POWER (2)	60 W above 2 kHz
SENSITIVITY(1W@1M) (3)	107 dB
FREQUENCY RANGE	1800Hz ÷ 20kHz
RECOMM. XOVER FREQUENCY	1800Hz 12dB/oct slope
DIAPHRAGM MATERIAL	Titanium
VOICE COIL DIAMETER	34,4 mm (1 1/3 in)
VOICE COIL WINDING MATERIAL	Edge-wound aluminum
MAGNET MATERIAL	Neodymium
FLUX DENSITY	1,8 T
BL FACTOR	6 N/A
POLARITY	Positive voltage on red terminal gives positive pressure in the throat

**MOUNTING INFORMATION**

Overall diameter	85 mm (3,3 in)
Mounting holes diameter	2 M5 holes on Ø 76 mm (3 in)
Bolt circle diameter	58 mm (2,3 in)
Total depth	40,5 mm (1,6 in)
Net weight	0,8 kg (1,75 lb)
Shipping weight	0,9 Kg (1,97 lb)
CardBoard Packaging dimensions	97x97x58 mm (3,8x3,8x2,3 in)

**ND1030 MEASURED WITH 1W INPUT ON RATED IMPEDANCE AT 1M DISTANCE ON XT1086 HORN MOUTH AXIS.****FREE AIR IMPEDANCE MAGNITUDE CURVE.****NOTES**

- (1) AES power rating is tested with a pink noise input having a 6 dB crest factor for two hours duration within the specified range. Power calculated on minimum impedance.
- (2) Program power rating is defined as 3 dB greater than AES rating, and is a conservative expression of the transducer ability to handle music program material.
- (3) Sensitivity is measured at 1W input on rated impedance at 1m on axis from the mouth of XT1086 horn, averaged between 1kHz and 4 kHz.

Eighteen Sound engages in research and product improvement. New materials and design refinements can be introduced into existing products without notice.