



# RAYZOR Q7

Sku# RAY047

The Rayzor Q7 is the smallest, fastest and most powerful moving head LED wash / beam in it's class. Featuring Quad Color LED's and High Output Optical technology, Rayzor Q7 produces a Rayzor sharp beam with a 7 degree beam angle lens system, has Rayzor fast movement with new high speed 3-phase motor technology. Utilizing 7 x 15 Watt Osram Quad Color RGBW LED's which can also be controlled and chased in 4 independent zones for dynamic visual effects. Optional accessories for the Rayzor Q7 include a snoot lens cover and diffusion filter holder. The Rayzor Q7 features a full color LCD touch menu display, powercon in/out linking, multi-voltage power supply from 100-240v and 5pin DMX as standard. The Rayzor Q7 is CE approved and cETLus approval is pending.



## Features

- 7 x 15W Quad Color RGBW LEDs
- LED Type: OSRAM LERTDUW S2W
- 100,000 Hour Rated Life LED
- 7° beam angle
- 13° field angle
- 1,743 Lux @ 7.5M
- Strobe 1-18fps
- Dimming: 0-100%
- 4 zone chase effects
- 8 macros
- 15/17/29 DMX channels
- 5pin in/out DMX connectors
- Power con in/out
- Full color LCD display
- 540 / 630 x 265 Pan / Tilt
- 100-240v / 50-60hz power input
- ST 250V T3.15A Fuse
- 45°C max ambient temp
- 140W max power
- Flicker Free
- RDMX
- Color LED touch display
- Black Case Color
- Single Omega bracket mounting
- Electrical Approvals: CE and cETLus PENDING
- Optional accessories: Snoot / Diffusion Filter holder
- Weight: 11lbs
- Dimensions: 9.25" x 5.5" x 12.5"

## Accessories



RAY047-GFH Diffusion holder for Rayzor Q7

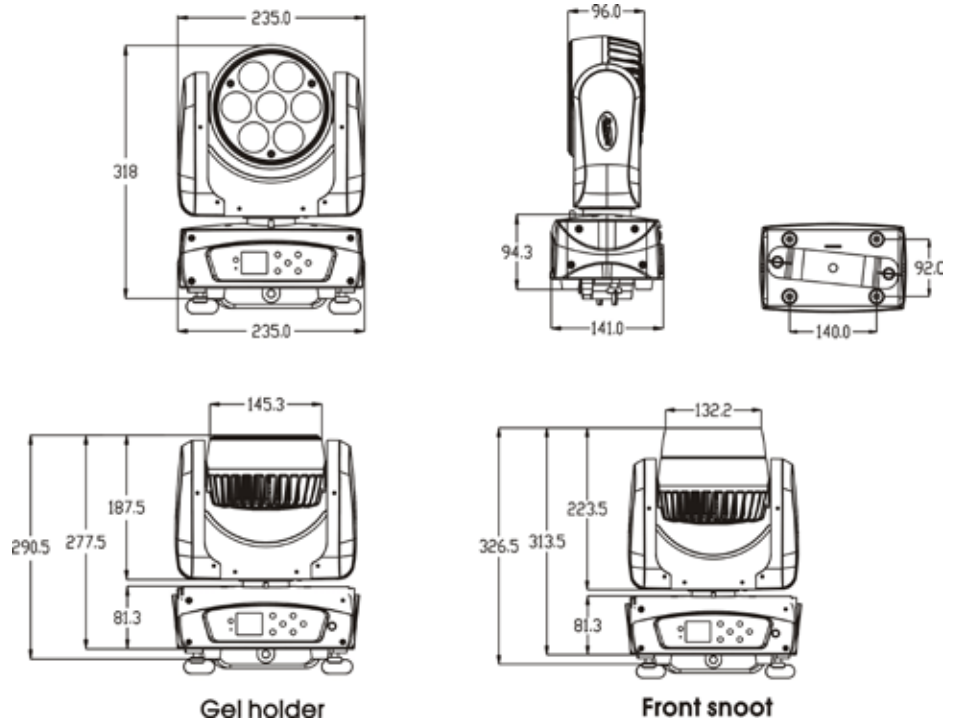


RAY047-SNOOT Snoot for Rayzor Q7

# RAYZOR Q7

Sku# RAY047

## Dimensional Diagram (mm)



## Photometric Diagram

Min. Field angle 7°

Max. Field angle 13°

Intensity LUX	RED	2817	756	295
	GREEN	6650	1768	768
	BLUE	910	250	108
	WHITE	8963	2310	1001
	FULL	15500	3920	1743

