

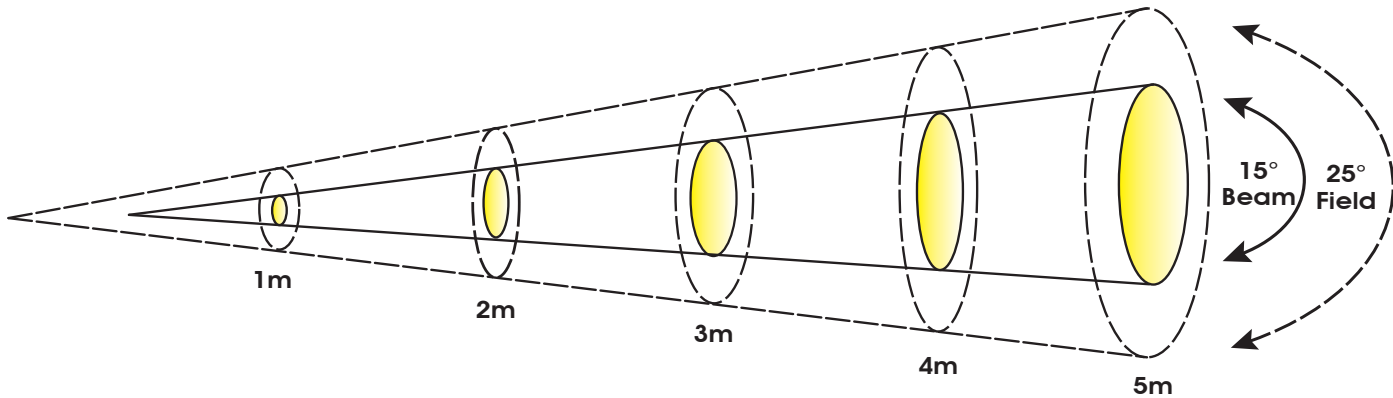
SIXPAR 100™

SKU# SIX037



Photometric Data

Specifications are subject to change without any prior written notice.



	m	ft	m	ft	m	ft	m	ft	m	ft
Distance	1	3.3	2	6.6	3	9.8	4	13.1	5	16.4
15° Beam Diameter	0.35	1.1	0.54	1.8	0.8	2.6	1.05	3.4	1.32	4.3
25° Field Diameter	0.45	1.5	0.88	2.9	1.33	4.4	1.77	5.8	2.21	7.3
	lux	fc	lux	fc	lux	fc	lux	fc	lux	fc
RED LEDs	2,160	201	545	51	249	23	116	11	83	8
GREEN LEDs	4,180	388	1,055	98	484	45	235	22	174	16
BLUE LEDs	4,670	434	1,205	112	545	51	284	26	190	18
WHITE LEDs	4,160	386	1,012	94	487	45	271	25	174	16
AMBER LEDs	1,590	148	376	35	172	16	93	9	61	6
UV LEDs	985	92	247	23	175	16	63	6	43	4
FULL ON	12,850	1194	2,880	268	1,401	130	848	79	571	53

ELATION | SIXPAR 100™ | Photometric Data

Elation Professional USA | 6122 S. Eastern Ave. | Los Angeles, CA. 90040
 323-582-3322 | 323-832-9142 fax | www.elationlighting.com | info@elationlighting.com

Elation Professional B.V. | Junostraat 2 | 6468 EW Kerkrade, Netherlands
 +31 45 546 85 66 | +31 45 546 85 96 fax | www.elationlighting.eu | info@elationlighting.eu