

ELAR EXQUADPAR HP

SKU# ELA980



The ELAR EXQUADPAR HP by Elation Architectural is a high powered outdoor LED par fixture featuring 8 X 5W QUAD Color RGBW mixing producing infinite colors, 0-100% electronic dimming, slow to fast strobing and a 25° beam angle. This unit is rated at IP65, ideal for indoor or outdoor applications and includes outdoor rated power and data cables along with a/c power 120v input/output PPG cable (a 240V model is available). The ELAR EXQUADPAR HP is power/data linkable and is equipped with an internal power supply. The unit is safe in any working position and can be operated in two user modes: DMX- 512 or stand-alone. There are 8 DMX modes, 1 Channel Mode, 2 Channel Mode, 3 Channel Mode, 4 Channel Mode, 5 Channel Mode, 6 Channel Mode, 7 Channel Mode, & 8 Channel Mode. Optional accessories for the ELAR EXQUADPAR HP include ELAR WR2 wireless infrared remote, data and power link cable extensions. With the optional ELAR WR2 remote users can access internal programs and allow manual control of the unit as well as set DMX start channel address.



Features

- High powered 8 x 5W Quad color LED's
- Quad Color (RGBW) 4-in-1
- In/out power and DMX cables on rear panel
- 25° beam angle
- Programmable via IR remote
- Control via DMX or built in programs
- IP 65 rated
- 100 -240v power
- 45W power consumption
- 883 Lux at 4M (RGBW)
- Electrical Approvals: CE
- Weight: 11lbs / 4.6kgs.
- Dimensions: (LxWxH) 8.25" x 8.25" x 9.5" / 205 x 205 x 235mm

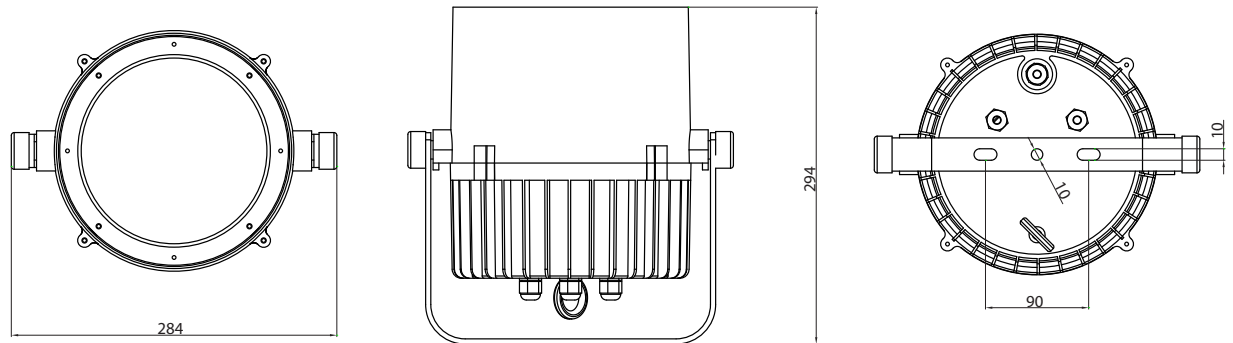
Optional Accessories

- ELAR WR2: Wireless Infrared Remote
- ELA958/3MPEC: 3 meter power ext/link cable
- ELAR 3C-1M: ELAR 1m extension signal cable
- ELAR 3C-5M: ELAR 5m extension signal cable

ELAR EXQUADPAR HP

Sku# ELA980

Dimensional Diagram (mm)



Photometric Chart

R	D25	3140	891	409	233	156	lux
G	D25	3570	996	459	264	170	
B	D25	3210	861	392	236	148	
W	D25	3110	848	329	220	147	
RGBW	D25	12770	3440	1542	883	589	

